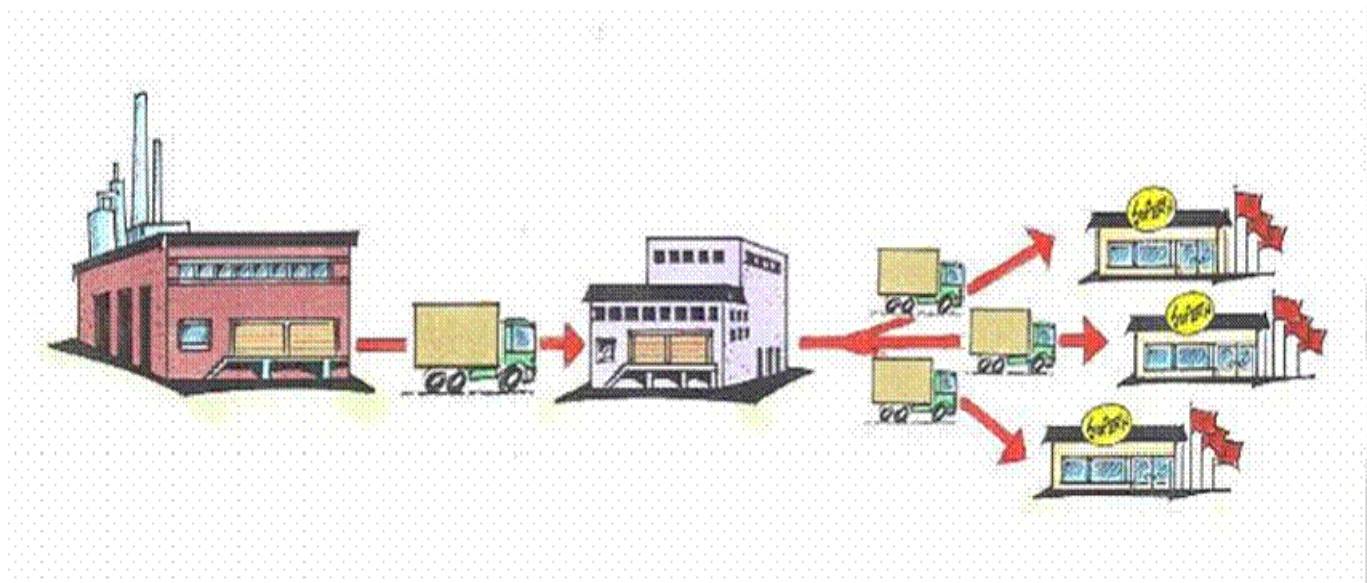


User Guide for international trade of building materials

Nordic eBuilding EDI guide for EDIFACT ORDERS



EDIFACT-melding: ORDERS
EDIFACT-versjon: D
EDIFACT-release: 03A
EDIFACT-status: QA not performed
Versjon: NeB 01.00
Dato: 25.03.2008

Table of content

1. CHANGE LOG3

2. GENERAL.....4

 2.1. INTRODUCTION.....4

 2.2. DEVELOPMENT/MAINTENANCE.....4

3. MESSAGE DESCRIPTION4

 3.1. DEFINITION4

 3.2. PRINCIPLES.....4

 3.3. PARTIES.....5

 3.4. ARTICLE IDENTIFICATION.....5

 3.5. UNIT OF MEASURE (UOM).....5

 3.6. INCOTERMS5

 3.7. REFERENCES.....5

4. EXAMPLE OF ORDERS MESSAGE.....6

5. SEGMENT STRUCTURE.....8

6. SEGMENT DIGRAM.....10

7. DESCRIPTION OF SEGMENTS IN DETAIL.....17

1. CHANGE LOG

Date	New version	Segment group and segment	Description	Approved by and when
20071212	NB 00 04		New version is presented	SG 20071218
20080305	NB 01 00		Walk through with corrections	SG 20080305

2. GENERAL

2.1. Introduction

This user guide is a part of a series of EDI message handbook established with the purpose of making electrical business easier by using standards for the content of each message. A common name of this series of message guides is "EDI user guides for international trade with building articles".

This document is a user guide with name «**Nordic eBuilding EDI guide EDIFACT ORDERS**».

Similar user guides will be available for the messages ORDRSP, DESADV, INVOIC and PRICAT.

Objective for making this series of user guides is to promote and use them as a standard way of doing electrical business both in national but also in international business. The documentation will be made available to every party who want to implement it in their business with trading partners.

2.2. Development/Maintenance

This user guide is developed based on information requirements experienced during the last 10 years in nordic countries. The documentation is produced by a project group consisting of people from BEAST (, Sweden) and TBF (Trelast og byggevarehandelens fellesorganisasjon, Norway). TUN (Trelast Unionen, Danmark) has supported with their needs of information in the different messages.

The user guides are based on the information elements in use in Sweden, Norway and Denmark to day and is intended over time to replace the national standard which are in use to day.

The new standard contains codes and qualifier which will be the same across borders. This is the huge benefit of this new standard..

Maintenance of this user guide will be outsourced to xxxxxxx. Based on experiences and requests from users, a competent management group have to decide the changes which xxxxxxx in turn will include into the user guide document.

Quality assurance of this document will be handled by yyyyyyy..

Changes in this document will be updated in the Change Log in chapter 1 of this document.

3. MESSAGE DESCRIPTION

3.1. Definition

The order is a message to be sent from the buyer to the vendor of goods or articles. The message specifies one or more articles to be ordered with conditions settled between buyer and seller..

The orders shall be numbered by the buyer with his purchase order number which in turn is very important to be taken care of by the vendor and must be included in every of the following electrical messages concerning this order (order confirmation, despatch advice (delivery note) and invoice).

3.2. Principles

The message is a purchase order specifying involved parties and containing specification of articles to be ordered, quantities, and requested delivery time.

Other detailed information as identification of the involved parties, buyer and vendor, article identification and delivery and payment terms must be settled in agreements before the electrical trade may start.

This user guide will cover the information needs for ordering independent of the position in the value chain.

The concept of use of this message is that the order shall result in one delivery to one delivery place on a requested delivery date. Other possible usage of the message must be agreed on by the parties before use.

3.3. Parties

Parties involved in a business transaction must be uniquely identified, and the preferred identifier is GLN (Global location number). End user and delivery place will usually not have a GLN and has to be identified by name and address.

Identification of involved parties must be exchanged between the trading parties before going live.

3.4. Article identification

Trade between buyer and supplier must be based on knowledge of article identification between the trading parties. This information must be exchanged in advance if not available from branch or national databases.

For trade across borders the use of GTIN (Global Trade Item Number) is highly recommended as article identification.

The method of identifying articles must be agreed on before electronic trading may start.

3.5. Unit of Measure (UOM)

When using GTIN, the unit of measure usually will be PCE (pieces). Some products will be measured in kiloes (KGM), meters (MTR) or liters (LTR). This is the recommended standard for UOM and they are typical logistical UOMs..

Branch or national databases with articles often have defined UOMs which are a description of the type of container in which the article is contained. Usually these UOMs are not a logistical UOM (BOT=bottle).

Article catalog with article identification and Unit of Measure (UOM) has to be exchanged between trading parties before going live.

3.6. Incoterms

The use of Incoterms code is often advised in order to be aware of delivery terms for this order. In general will the terms of delivery be a part of the agreement between the trading parties.

More information at <http://www.incoterms.com>

3.7. References

This user guide is based on the following documents.

- [1] ISO 9735, version 2, 1990.11.01
- [2] UN/EDIFACT Draft directory, D.03A

4. EXAMPLE OF ORDERS MESSAGE

Purchase Order from Buyer to Vendor

Black print = Must be present

Blue print = Optional, may be used

This purchase order is made for Norway where NOBB is used for identification of article and UOM. In this example both GTIN and NOBB is used for article identification.

UNA:+,?'
UNB+UNOC:3+1234567890123:14+9876543210321:14+080324:0835+89101'
UNH+1+ORDERS:D:03A:UN:NeB01'
BGM+220+42770++AC'
DTM+137:200803240834:203'
DTM+2:20080331:102'
FTX+DIN+++ Delivery at Gate 2'
RFF+AEP:NOR-123'
NAD+SU+1234567890123::9'
NAD+BY+2345678901123::9'
RFF+VA:NO123456789MVA'
CTA+IC+:Per Olsen'
COM+23114456:TE'
NAD+IV+1230123456789::9'
NAD+DP+7080000448494::9++Byggmakker Skattum+Valdresveien 4+Gjøvik++2815'
NAD+UD+++Lise Olsen+Biriveien+Biri+++2820'
TDT+20+3'
TOD+6++DDP:106'
LOC+1+1234567890123::9'
LIN+1++1234567890123:EN'
PIA+5+12345678:NO1'
PIA+1+1479565:SA'
IMD+F+:::Description'
QTY+21:8:STK'
FTX+LIN+++Optional text'
UNS+S'
CNT+2:1'
UNT+26+1'
UNZ+1+89101'

Purchase order example with comments

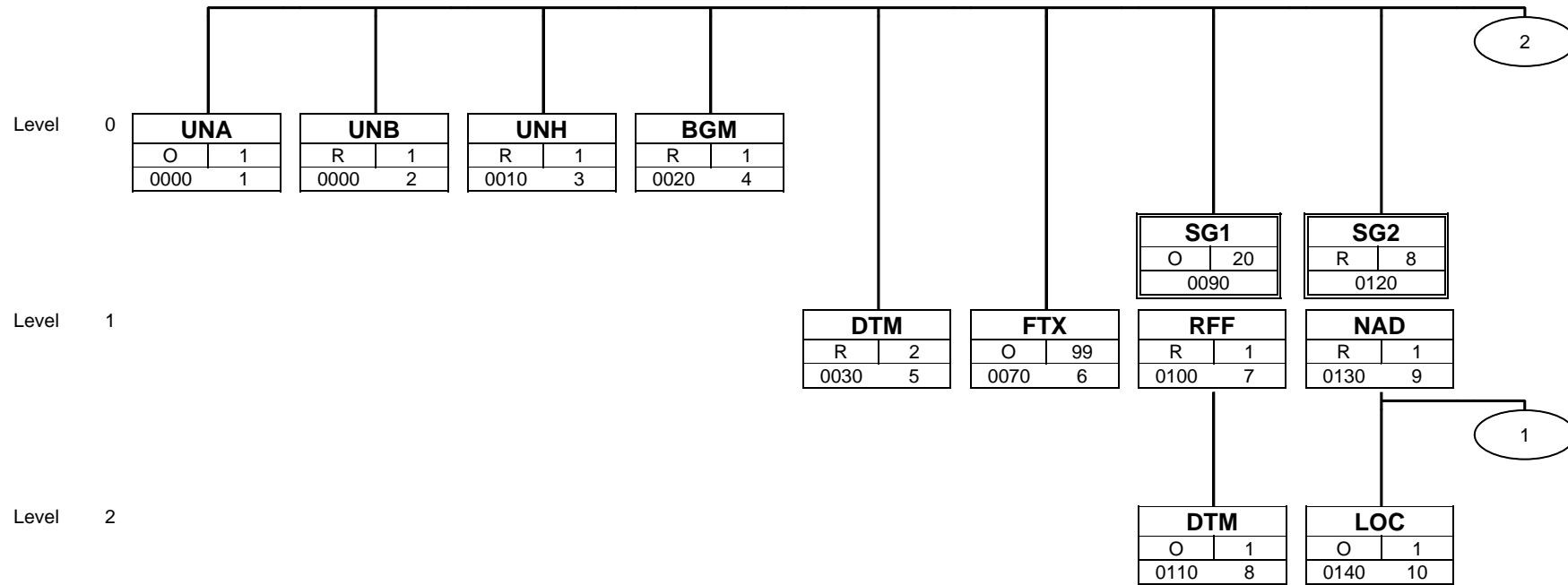
EDIFACT statement	Description
UNA:+,?'	
UNB+UNOC:3+1234567890123:14+9876543210321:14+080324:0835+89101'	1234567890123=buyer GLN 9876543210321=supplier GLN 080324:0835=date and time of converting 89101=Message reference
UNH+1+ORDERS:D:03A:UN:NeB01'	
BGM+220+12345++AC'	12345=Purchase order number
DTM+137:200803240834:203'	200803240834=Order date and time
DTM+2:20080331:102'	20080331=Requested delivery date
FTX+DIN+++ Delivery at Gate 2'	Optional
RFF+AEP:NOR-123'	Optional project number. Other codes in segment RFF in chapter 7.
NAD+SU+1234567890123::9'	1234567890123=Vendors GLN
NAD+BY+2345678901123::9'	2345678901123=Buyers GLN
RFF+VA:NO123456789MVA'	123456789=VAT number for buyer
CTA+IC+:Per Olsen'	Per Olsen= Contact person
COM+23114456:TE'	23114456=Phone number
NAD+IV+1230123456789::9'	1230123456789=Invoicees GLN
NAD+DP+7080123456789::9++Byggmakker Skattum+Valdresveien 4+Gjøvik++2815'	Address of delivery place
NAD+UD+++Lise Olsen+Biriveien+Biri+++2820'	End customer name to be used for marking of goods in case of a customer order
TDT+20+3'	Transport information
TOD+6++DDP:106'	DDP=Terms of delivery with Incoterms code
LOC+1+1234567890123::9'	Place for terms of delivery
LIN+1+++1234567890123:EN'	Item line number and GTIN number for article
PIA+5+12345678:NO1'	NOBB number for article
PIA+1+1479565:SA'	Vendor article number
IMD+F+:::Description'	Article description
QTY+21:8:STK'	8=Quantity ordered
FTX+LIN+++Optional text'	Free text at line level
UNS+S'	
CNT+2:1'	1=Number of item lines
UNT+26+1'	26=Number of segments
UNZ+1+89101'	1=One message in this envelope 89101=Message reference (same as in UNB)

5. SEGMENT STRUCTURE

Counte	No	Tag	St	MaxOcc	Level	Content
0000	1	UNA	O	1	0	Service string advice
0000	2	UNB	R	1	0	Interchange header
0010	3	UNH	R	1	0	Message header
0020	4	BGM	R	1	0	Beginning of message
0030	5	DTM	R	2	1	Message date/Requested delivery or shipment date
0070	6	FTX	O	99	1	Free text
0090		SG1	O	20	1	RFF-DTM
0100	7	RFF	R	1	1	Reference
0110	8	DTM	O	1	2	Date/time/period
0120		SG2	R	8	1	NAD-LOC-SG3-SG5
0130	9	NAD	R	1	1	Name and address
0140	10	LOC	O	1	2	Place/location identification
0160		SG3	O	2	2	RFF
0170	11	RFF	R	1	2	Reference
0220		SG5	R	1	2	CTA-COM
0230	12	CTA	R	1	2	Contact information
0240	13	COM	O	1	3	Communication contact
0290		SG7	D	1	1	CUX
0300	14	CUX	R	1	1	Currencies
0330		SG8	O	1	1	Payment instructions
0340	15	PYT	R	1	1	Payment terms
0410		SG10	C	10	1	TDT
0420	16	TDT	R	1	1	Transport information
0460		SG12	O	1	1	TOD-LOC
0470	17	TOD	R	1	1	Terms of delivery or transport
0480	18	LOC	O	1	2	Place/location identification
0490		SG13	O	2	1	PAC-SG14
0500	19	PAC	R	1	1	Package
0520		SG14	O	1	2	PCI
0530	20	PCI	R	1	2	Package identification
0730		SG19	O	3	1	ALC-SG22
0740	21	ALC	R	1	1	Allowance or charge
0830		SG22	O	1	2	MOA
0840	22	MOA	R	1	2	Monetary amount
1030		SG28	R	99999	1	LIN-PIA-IMD-MEA-QTY-DTM-MOA-FTX-SG29-SG32-SG33-SG34-
1040	23	LIN	R	1	1	Line item
1050	24	PIA	O	1	2	Additional article identifier(s) 1
1060	25	IMD	O	1	2	Description of article or service
1070	26	MEA	D	1	2	Article net weight. Not to be used in Norway
1080	27	QTY	R	2	2	Quantity
1110	28	DTM	O	1	2	Delivery date/time, requested. Only to be used after
1120	29	MOA	O	1	2	Line item amount. Not to be used in Norway
1200	30	FTX	O	3	2	Free text

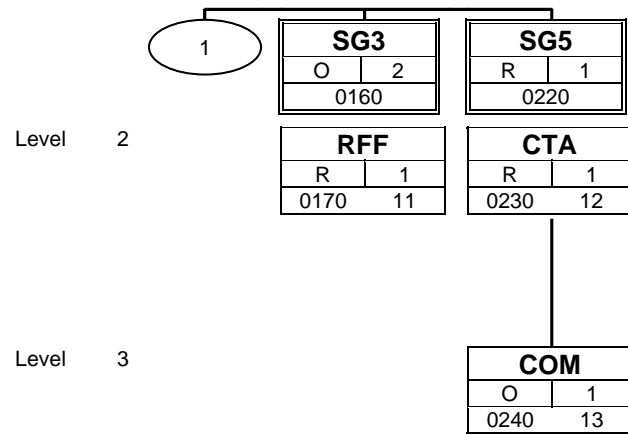
Counte	No	Tag	St	MaxOcc	Level	Content
	1210	SG29	C	999	2	CCI-CAV-MEA
	1220	31 CCI	M	1	2	Characteristic/class id. Details will be added later
	1230	32 CAV	R	10	3	Characteristic value
	1240	33 MEA	R	10	3	Measurements. Details will be added later
	1320	SG32	O	4	2	Price details. Not to be used without special agreement
	1330	34 PRI	R	1	2	Price details. Not to be used without special agreement
	1380	SG33	C	10	2	RFF-DTM
	1390	35 RFF	M	1	2	Reference
	1400	36 DTM	O	1	3	Date/time/period
	1430	SG34	O	99	2	Package Not to be used in Norway
	1440	37 PAC	R	1	2	Package Not to be used in Norway
	1510	SG36	C	5	3	PCI-GIN
	1520	38 PCI	R	1	3	Package identification. Not to be used in Norway
	1550	39 GIN	C	3	4	Goods identity number. Not to be used in Norway
	1560	SG37	O	9999	2	LOC
	1570	40 LOC	R	1	2	Place/location identification. Only to be used after
	1780	SG43	O	5	2	ALC-SG45
	1790	41 ALC	R	1	2	Allowance or charge. Not to be used in Norway
	1850	SG45	C	1	3	PCD
	1860	42 PCD	R	1	3	Percentage details. Not to be used in Norway
	2330	43 UNS	M	1	0	Section control
	2340	44 MOA	O	1	1	Monetary amount. Not to be used in Norway
	2350	45 CNT	O	2	1	Control total
	2400	46 UNT	M	1	0	Message trailer
	0000	47 UNZ	R	1	0	Interchange trailer

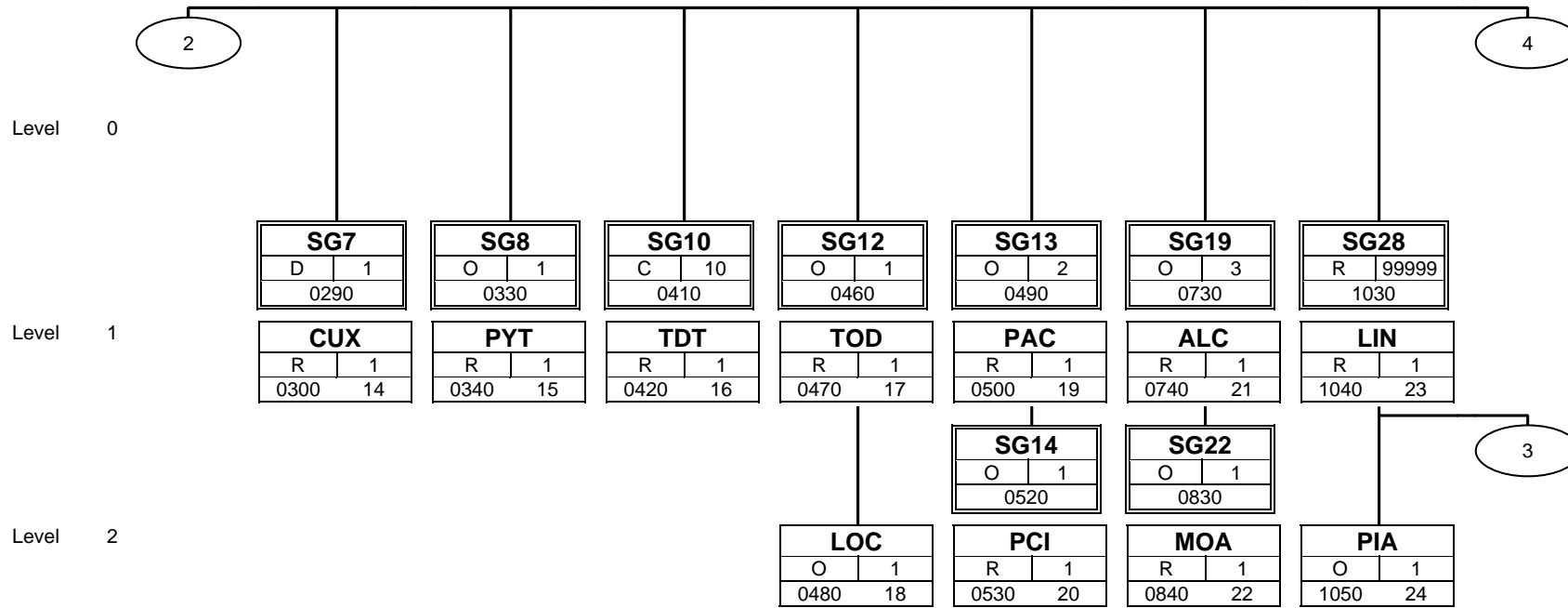
6. SEGMENT DIGRAM



NORDIC BUILDING EDIFACT ORDERS

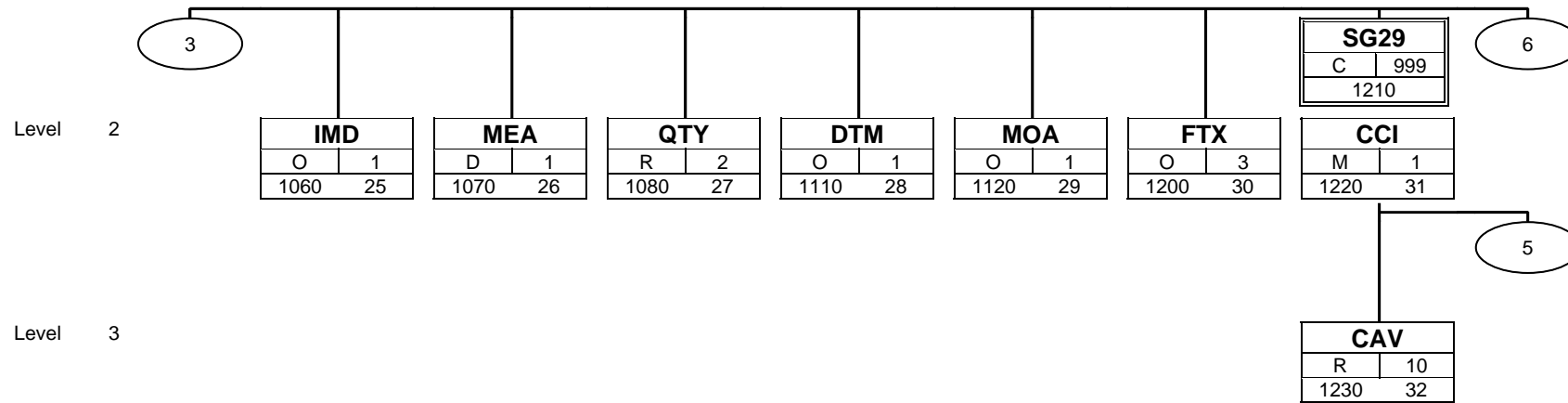
BEAst, TBF

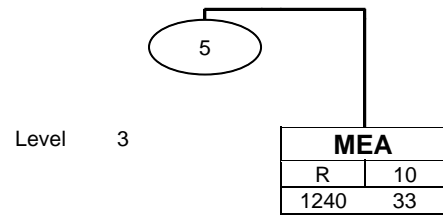


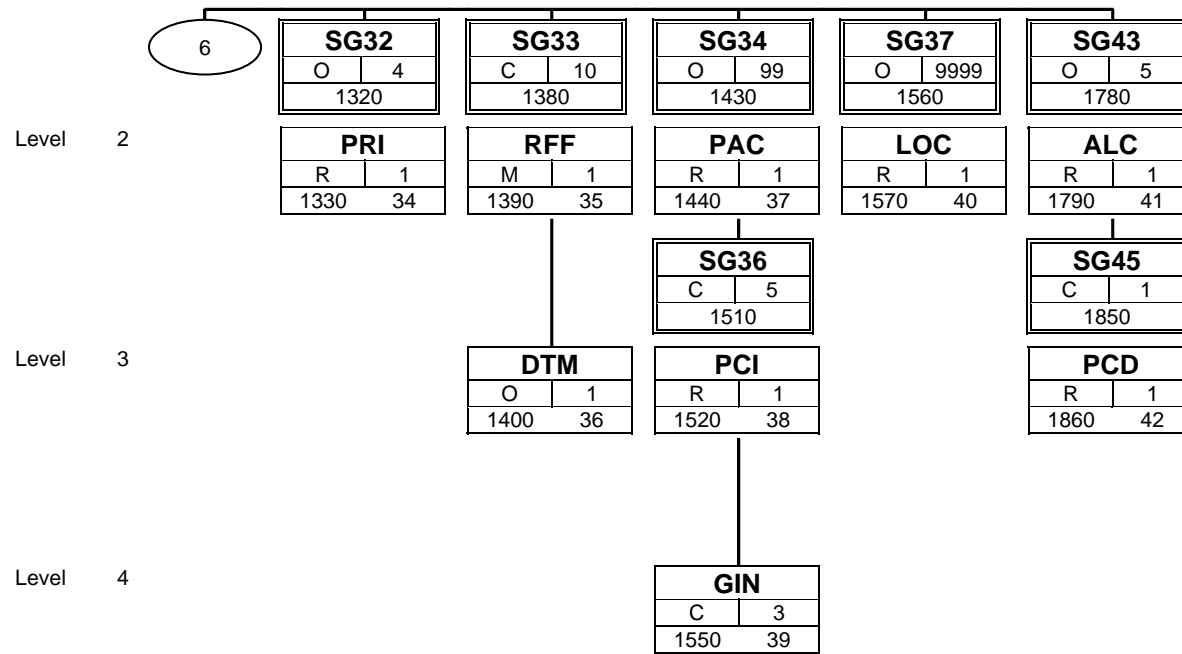


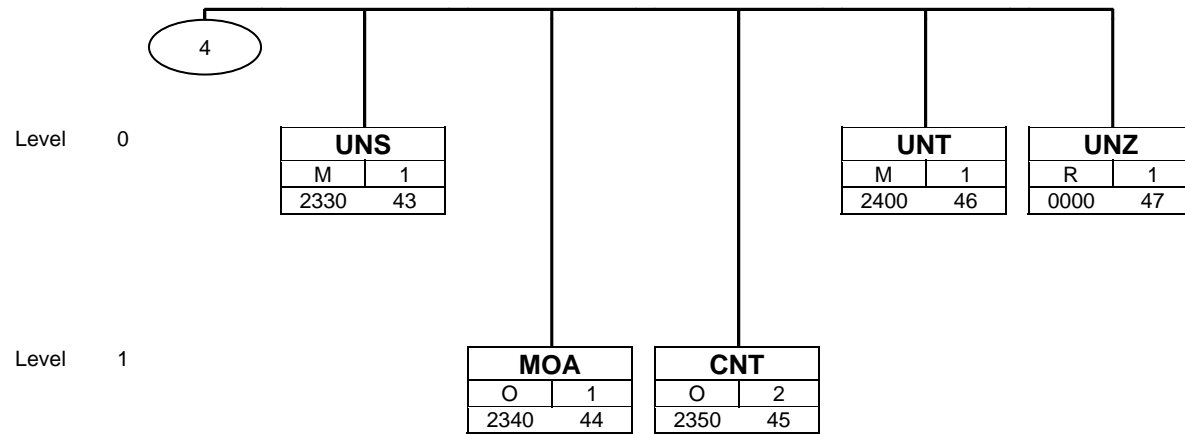
NORDIC BUILDING EDIFACT ORDERS

BEAst, TBF









7. DESCRIPTION OF SEGMENTS IN DETAIL

This chapter describes all segments and segment groups contained in the ORDERS message. Each segment is described with all data elements contained. Not all data elements are marked as part of this user guide. Some data elements are described as not used and some are required. See codes for usage in the bottom line.

The content of this chapter should be sufficient in order to determine which data elements is required in an order message. The example in chapter 4 also helps to describe the content of the message.

Always discuss with your business partner about content of the message before you start to exchange electronical documents..

For some data elements where several codes are available, the codes are divided in two parts, primary codes and secondary codes.

Secondary codes are only to be used after agreement with the trading party.

Segments

Counter	No	Tag	St	MaxOcc	Level	Name
0000	2	UNB	R	1	0	Interchange header

		Standard	Implementation	
Tag	Name	St Format	St Format	Usage / Remark
UNB				
S001	Syntax identifier	M	R	
0001	Syntax identifier	M a4	M a4	UNOC
0002	Syntax version number	M an1	M an1	3
0080	Service code list directory version number	C an..6	N	Not used
0133	Character encoding, coded	C an..3	N	Not used
0076	Syntax release number	C an2	N	Not used
S002	Interchange sender	M	R	
0004	Interchange sender identification	M an..35	R an..35	GLN
0007	Identification code qualifier	C an..4	R an..4	14 EAN International
0008	Interchange sender internal identification	C an..35	N	Not used
0042	Interchange sender internal sub-identification	C an..35	N	Not used
S003	Interchange recipient	M	R	
0010	Interchange recipient identification	M an..35	R an..35	GLN
0007	Identification code qualifier	C an..4	R an..4	14 EAN International
0014	Interchange recipient internal identification	C an..35	N	Not used
0046	Interchange recipient internal sub-identification	C an..35	N	Not used
S004	Date and time of preparation	M	R	
0017	Date	M n8	M n8	
0019	Time	M n4	M n4	
0020	Interchange control reference	M an..14	M an..14	
S005	Recipient reference/password details	C	N	
0022	Recipient reference/password	M an..14	N	Not used
0025	Recipient reference/password qualifier	C an2	N	Not used
0026	Application reference	C an..14	N	Not used
0029	Processing priority code	C a1	N	Not used
0031	Acknowledgement request	C n1	D n1	1 Acknowledgement requested
0032	Interchange agreement identifier	C an..35	N	Not used
0035	Test indicator	C n1	C n1	Use only with test

No = Consecutive segment number
 MaxOcc = Maximum occurrence of the segment/group
 Counter = Counter of segment/group within the standard

St = Status
 EDIFACT: M=Mandatory, C=Conditional
 User specific: R=Required, O=Optional, D=Dependent, A=Advised, N=Not used

Segments

		Standard	Implementation	
Tag	Name	St Format	St Format	Usage / Remark
				1 Interchange is a test

Remark:

Example:

UNB+UNOC:3+7312346678901:14+7398765432101:14+20070411:0928+1234++++1++1'

No = Consecutive segment number
 MaxOcc = Maximum occurrence of the segment/group
 Counter = Counter of segment/group within the standard

St = Status
 EDIFACT: M=Mandatory, C=Conditional
 User specific: R=Required, O=Optional, D=Dependent,
 A=Advised, N=Not used

Segments

Counter	No	Tag	St	MaxOcc	Level	Name
0010	3	UNH	R	1	0	Message header

		Standard	Implementation		
Tag	Name	St Format	St Format	Usage / Remark	
UNH					
0062	Message reference number	M an..14	M an..14	Message reference number - unique number to identify the message within the interchange, usually a consecutive number starting with 1.	
S009	Message identifier	M	R		
0065	Message type	M an..6	R an..6	ORDERS Purchase order message	
0052	Message version number	M an..3	R an..3	D Draft version/UN/EDIFACT Directory	
0054	Message release number	M an..3	R an..3	03A Release 2003 - A	
0051	Controlling agency, coded	M an..3	R an..3	UN UN/CEFACT	
0057	Association assigned code	C an..6	C an..6	NeB01 Nordic eBuilding	
0110	Code list directory version number	C an..6	N	Not used	
0113	Message type sub-function identification	C an..6	N	Not used	
0068	Common access reference	C an..35	N	Not used	
S010	Status of the transfer	C	N		
0070	Sequence of transfers	M n..2	N	Not used	
0073	First and last transfer	C a1	N	Not used	
S016	Message subset identification	C	N		
0115	Message subset identification	M an..14	N	Not used	
0116	Message subset version number	C an..3	N	Not used	
0118	Message subset release number	C an..3	N	Not used	
0051	Controlling agency, coded	C an..3	N	Not used	
S017	Message implementation guideline identification	C	N		
0121	Message implementation guideline identification	M an..14	N	Not used	
0122	Message implementation guideline version number	C an..3	N	Not used	
0124	Message implementation guideline release number	C an..3	N	Not used	
0051	Controlling agency, coded	C an..3	N	Not used	
S018	Scenario identification	C	N		
0127	Scenario identification	M an..14	N	Not used	
0128	Scenario version number	C an..3	N	Not used	
0130	Scenario release number	C an..3	N	Not used	

No = Consecutive segment number
 MaxOcc = Maximum occurrence of the segment/group
 Counter = Counter of segment/group within the standard

St = Status
 EDIFACT: M=Mandatory, C=Conditional
 User specific: R=Required, O=Optional, D=Dependent, A=Advised, N=Not used

Segments

		Standard	Implementation	
Tag	Name	St Format	St Format	Usage / Remark
0051	Controlling agency, coded	C an..3	N	Not used

Remark:

Example:

UNH+1+ORDERS:D:03A:UN:NeB01'

No = Consecutive segment number
 MaxOcc = Maximum occurrence of the segment/group
 Counter = Counter of segment/group within the standard

St = Status
 EDIFACT: M=Mandatory, C=Conditional
 User specific: R=Required, O=Optional, D=Dependent,
 A=Advised, N=Not used

Segments

Counter	No	Tag	St	MaxOcc	Level	Name
0020	4	BGM	R	1	0	Beginning of message

		Standard	Implementation		
Tag	Name	St Format	St Format	Usage / Remark	
BGM					
C002	Document/message name	C	R		
1001	Document name code	C an..3	R an..3	220 Order 226 Call off order 237 Cross docking services order	
1131	Code list identification code	C an..17	N	Not used	
3055	Code list responsible agency code	C an..3	N	Not used	
1000	Document name	C an..35	N	Not used	
C106					
Document/message identification					
1004	Document identifier	C an..35	R an..35	Buyers order number	
1056	Version identifier	C an..9	N	Not used	
1060	Revision identifier	C an..6	N	Not used	
1225	Message function code	C an..3	O an..3	9 Original Agree on 1 Cancellation 31 Copy	
4343	Response type code	C an..3	O an..3	Response type for acknowledgment Agree on AC Acknowledge - with detail and change NA No acknowledgement needed AI Acknowledge only changes	

Remark:

Example:

BGM+220+123456+9+NA'

No = Consecutive segment number
 MaxOcc = Maximum occurrence of the segment/group
 Counter = Counter of segment/group within the standard

St = Status
 EDIFACT: M=Mandatory, C=Conditional
 User specific: R=Required, O=Optional, D=Dependent,
 A=Advised, N=Not used

Segments

Counter	No	Tag	St	MaxOcc	Level	Name
0030	5	DTM	R	2	1	Message date/Requested delivery or shipment date

Standard			Implementation	
Tag	Name	St Format	St Format	Usage / Remark
DTM				
C507	Date/time/period	M	R	
2005	Date or time or period function code qualifier	M an..3	R an..3	137 Document/message date/time 2 Delivery date/time, requested 10 Shipment date/time, requested
2380	Date or time or period text	C an..35	R N..12	Document Date
2379	Date or time or period format code	C an..3	R an..3	102 CCYYMMDD 203 CCYYMMDDHHMM

Remark:

Example:

DTM+137:200701011025:203'

No = Consecutive segment number
 MaxOcc = Maximum occurrence of the segment/group
 Counter = Counter of segment/group within the standard

St = Status
 EDIFACT: M=Mandatory, C=Conditional
 User specific: R=Required, O=Optional, D=Dependent,
 A=Advised, N=Not used

Segments

Counter	No	Tag	St	MaxOcc	Level	Name
0070	6	FTX	O	99	1	Free text

		Standard	Implementation	
Tag	Name	St Format	St Format	Usage / Remark
FTX				
4451	Text subject code qualifier	M an..3	R an..3	DIN Delivery instructions GEN Entire transaction set PUR Purchasing information TRA Transportation information AAG Party instructions
4453	Free text function code	C an..3	N	Not used
C107	Text reference	C	N	
4441	Free text description code	M an..17	R an..17	
1131	Code list identification code	C an..17	N	Not used
3055	Code list responsible agency code	C an..3	N	Not used
C108	Text literal	C	C	
4440	Free text	M an..512	R an..512	
4440	Free text	C an..512	O an..512	
4440	Free text	C an..512	O an..512	
4440	Free text	C an..512	O an..512	
4440	Free text	C an..512	O an..512	
3453	Language name code	C an..3	O an..3	
4447	Free text format code	C an..3	N	Not used

Remark:

Example:

FTX+PUR+++Samleverans önskas med order 12345:A:A:A:ASV'

No = Consecutive segment number
 MaxOcc = Maximum occurrence of the segment/group
 Counter = Counter of segment/group within the standard

St = Status
 EDIFACT: M=Mandatory, C=Conditional
 User specific: R=Required, O=Optional, D=Dependent,
 A=Advised, N=Not used

Segments

Counter	No	Tag	St	MaxOcc	Level	Name
0090		SG1	O	20	1	RFF-DTM
0100	7	RFF	R	1	1	Reference

Standard			Implementation	
Tag	Name	St Format	St Format	Usage / Remark
RFF				
C506	Reference	M	R	
1153	Reference code qualifier	M an..3	R an..3	Primary codes AEP Project number CR Customer reference number PD Promotion deal number Secondary codes AAG Offer number PL Price list number AFZ Situation number AER Project specification number ADE Account number ADT Group accounting AOU Cost account CT Contract number Campaine number(reference) UO Ultimate customer's order number AAL Drawing number UC Building place reference COF Subordrer number El branchen I Norge MS Message sender
1154	Reference identifier	C an..70	R an..70	
1156	Document line identifier	C an..6	N	Not used
4000	Reference version identifier	C an..35	N	Not used
1060	Revision identifier	C an..6	N	Not used

Remark:

Example:

RFF+AAG:123456789 '

No = Consecutive segment number
 MaxOcc = Maximum occurrence of the segment/group
 Counter = Counter of segment/group within the standard

St = Status
 EDIFACT: M=Mandatory, C=Conditional
 User specific: R=Required, O=Optional, D=Dependent,
 A=Advised, N=Not used

Segments

Counter	No	Tag	St	MaxOcc	Level	Name
0090		SG1	O	20	1	RFF-DTM
0110	8	DTM	O	1	2	Date/time/period

Standard			Implementation	
Tag	Name	St Format	St Format	Usage / Remark
DTM				
C507	Date/time/period	M	R	
2005	Date or time or period function code qualifier	M an..3	R an..3	171 Reference date/time
2380	Date or time or period text	C an..35	R an..35	
2379	Date or time or period format code	C an..3	R an..3	102 CCYYMMDD

Remark:

Example:

DTM+171:20070101:102'

No = Consecutive segment number
 MaxOcc = Maximum occurrence of the segment/group
 Counter = Counter of segment/group within the standard

St = Status
 EDIFACT: M=Mandatory, C=Conditional
 User specific: R=Required, O=Optional, D=Dependent,
 A=Advised, N=Not used

Segments

Counter	No	Tag	St	MaxOcc	Level	Name
0120		SG2	R	8	1	NAD-LOC-SG3-SG5
0130	9	NAD	R	1	1	Name and address

Standard			Implementation	
Tag	Name	St Format	St Format	Usage / Remark
NAD				
3035	Party function code qualifier	M an..3	R an..3	Primary codes BY Buyer SU Supplier IV Invoicee DP Delivery party SF Ship from UD Ultimate customer Secondary codes CA Carrier CN Consignee
C082	Party identification details	C	R	
3039	Party identifier	M an..35	R an..35	GLN no Or code agreed on with party
1131	Code list identification code	C an..17	N	Not used
3055	Code list responsible agency code	C an..3	R an..3	9 EAN International 91 Assigned by seller or seller's agent 92 Assigned by buyer or buyer's agent
C058	Name and address	C	N	Not recomende
3124	Name and address description	M an..35	M an..35	
3124	Name and address description	C an..35	N	Not used
3124	Name and address description	C an..35	N	Not used
3124	Name and address description	C an..35	N	Not used
3124	Name and address description	C an..35	N	Not used
C080	Party name	C	O	
3036	Party name	M an..35	R an..35	
3036	Party name	C an..35	O an..35	
3036	Party name	C an..35	O an..35	
3036	Party name	C an..35	N	Not used
3036	Party name	C an..35	N	Not used
3045	Party name format code	C an..3	N	Not used
C059	Street	C	O	

No = Consecutive segment number
 MaxOcc = Maximum occurrence of the segment/group
 Counter = Counter of segment/group within the standard

St = Status
 EDIFACT: M=Mandatory, C=Conditional
 User specific: R=Required, O=Optional, D=Dependent,
 A=Advised, N=Not used

Segments

		Standard	Implementation	
Tag	Name	St Format	St Format	Usage / Remark
3042	Street and number or post office box identifier	M an..35	R an..35	
3042	Street and number or post office box identifier	C an..35	O an..35	
3042	Street and number or post office box identifier	C an..35	N	Not used
3042	Street and number or post office box identifier	C an..35	N	Not used
3164	City name	C an..35	O an..35	
C819	Country sub-entity details	C	N	
3229	Country sub-entity name code	C an..9	N	Not used
1131	Code list identification code	C an..17	N	Not used
3055	Code list responsible agency code	C an..3	N	Not used
3228	Country sub-entity name	C an..70	N	Not used
3251	Postal identification code	C an..17	O an..17	
3207	Country name code	C an..3	O an..3	

Remark:

Example:

NAD+BY+7381030000028::9++Skoogs AB::X+Tallvägen 45:X+Xstad++12359+SE'

No = Consecutive segment number
 MaxOcc = Maximum occurrence of the segment/group
 Counter = Counter of segment/group within the standard

St = Status
 EDIFACT: M=Mandatory, C=Conditional
 User specific: R=Required, O=Optional, D=Dependent,
 A=Advised, N=Not used

Segments

Counter	No	Tag	St	MaxOcc	Level	Name
0120		SG2	R	8	1	NAD-LOC-SG3-SG5
0140	10	LOC	O	1	2	Place/location identification

Standard			Implementation	
Tag	Name	St Format	St Format	Usage / Remark
LOC				
3227	Location function code qualifier	M an..3	R an..3	7 Place of delivery
C517	Location identification	C	O	
3225	Location name code	C an..35	A an..35	GLN
1131	Code list identification code	C an..17	N	Not used
3055	Code list responsible agency code	C an..3	N	Not used
3224	Location name	C an..256	A an..256	Location name in free text
C519	Related location one identification	C	N	
3223	First related location name code	C an..25	N	Not used
1131	Code list identification code	C an..17	N	Not used
3055	Code list responsible agency code	C an..3	N	Not used
3222	First related location name	C an..70	N	Not used
C553	Related location two identification	C	N	
3233	Second related location name code	C an..25	N	Not used
1131	Code list identification code	C an..17	N	Not used
3055	Code list responsible agency code	C an..3	N	Not used
3232	Second related location name	C an..70	N	Not used
5479	Relation code	C an..3	N	Not used

Remark:

To be used only together with Delivery party if necessary

Example:

LOC+7+X:::Grönegatan 14'

No = Consecutive segment number
 MaxOcc = Maximum occurrence of the segment/group
 Counter = Counter of segment/group within the standard

St = Status
 EDIFACT: M=Mandatory, C=Conditional
 User specific: R=Required, O=Optional, D=Dependent,
 A=Advised, N=Not used

Segments

Counter	No	Tag	St	MaxOcc	Level	Name
0160		SG3	O	2	2	RFF
0170	11	RFF	R	1	2	Reference

Standard			Implementation	
Tag	Name	St Format	St Format	Usage / Remark
RFF				
C506	Reference	M	R	
1153	Reference code qualifier	M an..3	R an..3	VA VAT registration number GN Government reference number
1154	Reference identifier	C an..70	R an..70	
1156	Document line identifier	C an..6	N	Not used
4000	Reference version identifier	C an..35	N	Not used
1060	Revision identifier	C an..6	N	Not used

Remark:

Example:

RFF+VA:SE556048581801'

No = Consecutive segment number
 MaxOcc = Maximum occurrence of the segment/group
 Counter = Counter of segment/group within the standard

St = Status
 EDIFACT: M=Mandatory, C=Conditional
 User specific: R=Required, O=Optional, D=Dependent,
 A=Advised, N=Not used

Segments

Counter	No	Tag	St	MaxOcc	Level	Name
0220		SG5	R	1	2	CTA-COM
0230	12	CTA	R	1	2	Contact information

Standard			Implementation	
Tag	Name	St Format	St Format	Usage / Remark
CTA				
3139	Contact function code	C an..3	O an..3	IC Information contact
C056	Department or employee details	C	R	
3413	Department or employee name code	C an..17	N	Not used
3412	Department or employee name	C an..35	O an..35	

Remark:

Example:

CTA+IC+:Karl Svensson'

No = Consecutive segment number
 MaxOcc = Maximum occurrence of the segment/group
 Counter = Counter of segment/group within the standard

St = Status
 EDIFACT: M=Mandatory, C=Conditional
 User specific: R=Required, O=Optional, D=Dependent,
 A=Advised, N=Not used

Segments

Counter	No	Tag	St	MaxOcc	Level	Name
	0220	SG5	R	1	2	CTA-COM
	0240	13 COM	O	1	3	Communication contact

Standard			Implementation	
Tag	Name	St Format	St Format	Usage / Remark
COM				
C076	Communication contact	M	R	
3148	Communication address identifier	M an..512	R an..512	Communication number
3155	Communication address code qualifier	M an..3	R an..3	EM Electronic mail TE Telephone

Remark:

Example:

COM+karl.svensson@beast.se:EM'

No = Consecutive segment number
 MaxOcc = Maximum occurrence of the segment/group
 Counter = Counter of segment/group within the standard

St = Status
 EDIFACT: M=Mandatory, C=Conditional
 User specific: R=Required, O=Optional, D=Dependent,
 A=Advised, N=Not used

Segments

Counter	No	Tag	St	MaxOcc	Level	Name
	0290	SG7	D	1	1	CUX
						To be used for trade when the Seller/Supplier is in other countries
	0300	CUX	R	1	1	Currencies

		Standard	Implementation	
Tag	Name	St Format	St Format	Usage / Remark
CUX				
C504	Currency details	C	O	
6347	Currency usage code qualifier	M an..3	R an..3	2 Reference currency
6345	Currency identification code	C an..3	O an..3	Invoicing currency
6343	Currency type code qualifier	C an..3	O an..3	9 Order currency
6348	Currency rate	C n..4	N	Not used
C504	Currency details	C	N	
6347	Currency usage code qualifier	M an..3	N	Not used
6345	Currency identification code	C an..3	N	Not used
6343	Currency type code qualifier	C an..3	N	Not used
6348	Currency rate	C n..4	N	Not used
5402	Currency exchange rate	C n..12	N	Not used
6341	Exchange rate currency market identifier	C an..3	N	Not used

Remark:

To be used for trade when the Seller/Supplier is in other countries

Example:

CUX+2:SEK:9

No = Consecutive segment number
 MaxOcc = Maximum occurrence of the segment/group
 Counter = Counter of segment/group within the standard

St = Status
 EDIFACT: M=Mandatory, C=Conditional
 User specific: R=Required, O=Optional, D=Dependent,
 A=Advised, N=Not used

Segments

Counter	No	Tag	St	MaxOcc	Level	Name
0330		SG8	O	1	1	Payment instructions
0340	15	PYT	R	1	1	Payment terms

Standard			Implementation	
Tag	Name	St Format	St Format	Usage / Remark
PYT				
4279	Payment terms type code qualifier	M an..3	R an..3	1 Basic 18 Previously agreed upon
C019	Payment terms	C	N	
4277	Payment terms description identifier	C an..17	N	Not used
1131	Code list identification code	C an..17	N	Not used
3055	Code list responsible agency code	C an..3	N	Not used
4276	Payment terms description	C an..35	N	Not used
2475	Time reference code	C an..3	N	Not used
2009	Terms time relation code	C an..3	N	Not used
2151	Period type code	C an..3	N	Not used
2152	Period count quantity	C n..3	N	Not used

Remark:

Example:

PYT+1'

No = Consecutive segment number
 MaxOcc = Maximum occurrence of the segment/group
 Counter = Counter of segment/group within the standard

St = Status
 EDIFACT: M=Mandatory, C=Conditional
 User specific: R=Required, O=Optional, D=Dependent,
 A=Advised, N=Not used

Segments

Counter	No	Tag	St	MaxOcc	Level	Name
0410		SG10	C	10	1	TDT
0420	16	TDT	R	1	1	Transport information

Standard			Implementation	
Tag	Name	St Format	St Format	Usage / Remark
TDT				
8051	Transport stage code qualifier	M an..3	R an..3	1 Inland transport 13 At destination 20 Main-carriage transport
8028	Means of transport journey identifier	C an..17	N	Not used
C220	Mode of transport	C	O	
8067	Transport mode name code	C an..3	O an..3	10 Maritime transport 20 Rail transport 30 Road transport 40 Air transport
8066	Transport mode name	C an..17	O an..17	Text
C001	Transport means	C	O	
8179	Transport means description code	C an..8	O an..8	341 Van, delivery
1131	Code list identification code	C an..17	N	Not used
3055	Code list responsible agency code	C an..3	N	Not used
8178	Transport means description	C an..17	N	Not used
C040	Carrier	C	N	
3127	Carrier identifier	C an..17	N	Not used
1131	Code list identification code	C an..17	N	Not used
3055	Code list responsible agency code	C an..3	N	Not used
3128	Carrier name	C an..35	N	Not used
8101	Transit direction indicator code	C an..3	N	Not used
C401	Excess transportation information	C	N	
8457	Excess transportation reason code	M an..3	N	Not used
8459	Excess transportation responsibility code	M an..3	N	Not used
7130	Customer shipment authorisation identifier	C an..17	N	Not used
C222	Transport identification	C	N	
8213	Transport means identification name identifier	C an..9	N	Not used

No = Consecutive segment number
 MaxOcc = Maximum occurrence of the segment/group
 Counter = Counter of segment/group within the standard

St = Status
 EDIFACT: M=Mandatory, C=Conditional
 User specific: R=Required, O=Optional, D=Dependent,
 A=Advised, N=Not used

Segments

		Standard	Implementation	
Tag	Name	St Format	St Format	Usage / Remark
1131	Code list identification code	C an..17	N	Not used
3055	Code list responsible agency code	C an..3	N	Not used
8212	Transport means identification name	C an..35	N	Not used
8453	Transport means nationality code	C an..3	N	Not used
8281	Transport means ownership indicator code	C an..3	N	Not used

Remark:**Example:**

TDT+1++30:Back lift+341'

No = Consecutive segment number
 MaxOcc = Maximum occurrence of the segment/group
 Counter = Counter of segment/group within the standard

St = Status
 EDIFACT: M=Mandatory, C=Conditional
 User specific: R=Required, O=Optional, D=Dependent,
 A=Advised, N=Not used

Segments

Counter	No	Tag	St	MaxOcc	Level	Name
0460		SG12	O	1	1	TOD-LOC
0470	17	TOD	R	1	1	Terms of delivery or transport

Standard			Implementation	
Tag	Name	St Format	St Format	Usage / Remark
TOD				
4055	Delivery or transport terms function code	C an..3	O an..3	6 Delivery condition 4 Collected by customer
4215	Transport charges payment method code	C an..3	N	Not used
C100	Terms of delivery or transport	C	R	
4053	Delivery or transport terms description code	C an..3	C an..3	EXW Ex Works (... named place) FCA Free Carrier (... named place) FAS Free Along Ship (... named port of shipment) FOB Free On Board (... named port of shipment) CFR Cost and Freight CIF Cost, Insurance, Freight (... named port of destination) CPT Carriage Paid To (... named place of destination) CIP Carriage and Insurance Paid to (... named place of destination) DAF Delivered At frontier (... named place) DES Delivered Ex Ship (... named port of destination) DEQ Delivered Ex Quay (Duty paid) (... named port of destination) DDU Delivered Duty Unpaid (... named place of destination) DDP Delivered Duty Paid (... named place of destination)
1131	Code list identification code	C an..17	C an..17	Value omitted: implies Incoterms 2000. ? 182 Combiterms 1990 ZCT Combiterms 2000 ?
3055	Code list responsible agency code	C an..3	N	Not used
4052	Delivery or transport terms description	C an..70	O an..70	Agree on
4052	Delivery or transport terms description	C an..70	N	Not used

Remark:

Example:

TOD+6++EXW:ZCT::X'

No = Consecutive segment number
 MaxOcc = Maximum occurrence of the segment/group
 Counter = Counter of segment/group within the standard

St = Status
 EDIFACT: M=Mandatory, C=Conditional
 User specific: R=Required, O=Optional, D=Dependent,
 A=Advised, N=Not used

Segments

Counter	No	Tag	St	MaxOcc	Level	Name
0460		SG12	O	1	1	TOD-LOC
0480	18	LOC	O	1	2	Place/location identification

Standard			Implementation	
Tag	Name	St Format	St Format	Usage / Remark
LOC				
3227	Location function code qualifier	M an..3	R an..3	1 Place of terms of delivery
C517	Location identification	C	O	
3225	Location name code	C an..35	O an..35	UN/LOCODE (default)
1131	Code list identification code	C an..17	O an..17	Value omitted: implies code is UN/LOCODE
3055	Code list responsible agency code	C an..3	O an..3	6 UN/ECE (United Nations - Economic Commission for Europe)
3224	Location name	C an..256	O an..70	If not available in UN/LOCODE 3225, Free text
C519	Related location one identification	C	N	
3223	First related location name code	C an..25	N	Not used
1131	Code list identification code	C an..17	N	Not used
3055	Code list responsible agency code	C an..3	N	Not used
3222	First related location name	C an..70	N	Not used
C553	Related location two identification	C	N	
3233	Second related location name code	C an..25	N	Not used
1131	Code list identification code	C an..17	N	Not used
3055	Code list responsible agency code	C an..3	N	Not used
3232	Second related location name	C an..70	N	Not used
5479	Relation code	C an..3	N	Not used

Remark:

Example:

LOC+1+X::6:Byggplatsen Krangatan'

No = Consecutive segment number
 MaxOcc = Maximum occurrence of the segment/group
 Counter = Counter of segment/group within the standard

St = Status
 EDIFACT: M=Mandatory, C=Conditional
 User specific: R=Required, O=Optional, D=Dependent,
 A=Advised, N=Not used

Segments

Counter	No	Tag	St	MaxOcc	Level	Name
0490		SG13	O	2	1	PAC-SG14
		Not to be used in Norway				
0500	19	PAC	R	1	1	Package

		Standard	Implementation	
Tag	Name	St Format	St Format	Usage / Remark
PAC				
7224	Package quantity	C n..8	O n..8	Number of kolli
C531	Packaging details	C	N	
7075	Packaging level code	C an..3	N	Not used
7233	Packaging related description code	C an..3	N	Not used
7073	Packaging terms and conditions code	C an..3	N	Not used
C202	Package type	C	O	
7065	Package type description code	C an..17	N	Not used
1131	Code list identification code	C an..17	N	Not used
3055	Code list responsible agency code	C an..3	N	Not used
7064	Type of packages	C an..35	O an..35	Free text
C402	Package type identification	C	N	
7077	Description format code	M an..3	N	Not used
7064	Type of packages	M an..35	N	Not used
7143	Item type identification code	C an..3	N	Not used
7064	Type of packages	C an..35	N	Not used
7143	Item type identification code	C an..3	N	Not used
C532	Returnable package details	C	N	
8395	Returnable package freight payment responsibility code	C an..3	N	Not used
8393	Returnable package load contents code	C an..3	N	Not used

Remark:
Not to be used in Norway

Example:
PAC+3++:::Kartong'

No = Consecutive segment number
MaxOcc = Maximum occurrence of the segment/group
Counter = Counter of segment/group within the standard

St = Status
EDIFACT: M=Mandatory, C=Conditional
User specific: R=Required, O=Optional, D=Dependent, A=Advised, N=Not used

Segments

Counter	No	Tag	St	MaxOcc	Level	Name
0520		SG14	O	1	2	PCI
		Not to be used in Norway				
0530	20	PCI	R	1	2	Package identification

		Standard	Implementation	
Tag	Name	St Format	St Format	Usage / Remark
PCI				
4233	Marking instructions code	C an..3	O an..3	16 Buyer's instructions 33E EAN SSCC
C210	Marks & labels	C	O	
7102	Shipping marks description	M an..35	R an..35	Marks
7102	Shipping marks description	C an..35	O an..35	Marks
7102	Shipping marks description	C an..35	O an..35	Marks
7102	Shipping marks description	C an..35	O an..35	Marks
7102	Shipping marks description	C an..35	N	Not used
7102	Shipping marks description	C an..35	N	Not used
7102	Shipping marks description	C an..35	N	Not used
7102	Shipping marks description	C an..35	N	Not used
7102	Shipping marks description	C an..35	N	Not used
7102	Shipping marks description	C an..35	N	Not used
8275	Container or package contents indicator code	C an..3	N	Not used
C827	Type of marking	C	N	
7511	Marking type code	M an..3	N	Not used
1131	Code list identification code	C an..17	N	Not used
3055	Code list responsible agency code	C an..3	N	Not used

Remark:
Not to be used in Norway

Example:
PCI+16+Isolering Blåsippan:Text:Text:Text '

No = Consecutive segment number
MaxOcc = Maximum occurrence of the segment/group
Counter = Counter of segment/group within the standard

St = Status
EDIFACT: M=Mandatory, C=Conditional
User specific: R=Required, O=Optional, D=Dependent,
A=Advised, N=Not used

Segments

Counter	No	Tag	St	MaxOcc	Level	Name
0730		SG19	O	3	1	ALC-SG22
		Not to be used in Norway				
0740	21	ALC	R	1	1	Allowance or charge

		Standard	Implementation		
Tag	Name	St Format	St Format	Usage / Remark	
ALC					
5463	Allowance or charge code qualifier	M an..3	M an..3	C Charge	
C552	Allowance/charge information	C	O		
1230	Allowance or charge identifier	C an..35	O an..35		
5189	Allowance or charge identification code	C an..3	N	Not used	
4471	Settlement means code	C an..3	N	Not used	
1227	Calculation sequence code	C an..3	N	Not used	
C214	Special services identification	C	O		
7161	Special service description code	C an..3	O an..3	PO Per order charge TV Transportation by vendor FC Freight service	
1131	Code list identification code	C an..17	N	Not used	
3055	Code list responsible agency code	C an..3	N	Not used	
7160	Special service description	C an..35	N	Not used	
7160	Special service description	C an..35	N	Not used	

Remark:
Not to be used in Norway

Example:
ALC+C+Slipas+++PO'

No = Consecutive segment number
 MaxOcc = Maximum occurrence of the segment/group
 Counter = Counter of segment/group within the standard

St = Status
 EDIFACT: M=Mandatory, C=Conditional
 User specific: R=Required, O=Optional, D=Dependent,
 A=Advised, N=Not used

Segments

Counter	No	Tag	St	MaxOcc	Level	Name
0830		SG22	O	1	2	MOA
		Not to be used in Norway				
0840	22	MOA	R	1	2	Monetary amount

		Standard	Implementation		
Tag	Name	St Format	St Format	Usage / Remark	
MOA					
C516	Monetary amount	M	R		
5025	Monetary amount type code qualifier	M an..3	R an..3	8 Allowance or charge amount	
5004	Monetary amount	C n..35	O n..35	Amount	
6345	Currency identification code	C an..3	N	Not used	
6343	Currency type code qualifier	C an..3	N	Not used	
4405	Status description code	C an..3	N	Not used	

Remark:
Not to be used in Norway

Example:
MOA+8 : 125 . 50 '

No = Consecutive segment number
MaxOcc = Maximum occurrence of the segment/group
Counter = Counter of segment/group within the standard

St = Status
EDIFACT: M=Mandatory, C=Conditional
User specific: R=Required, O=Optional, D=Dependent,
A=Advised, N=Not used

Segments

Counter	No	Tag	St	MaxOcc	Level	Name
1030		SG28	R	99999	1	LIN-PIA-IMD-MEA-QTY-DTM-MOA-FTX-SG29-SG32-SG33-SG34-SG37-SG43
1040	23	LIN	R	1	1	Line item

		Standard	Implementation	
Tag	Name	St Format	St Format	Usage / Remark
LIN				
1082	Line item identifier	C an..6	R an..6	Line number in message
1229	Action request/notification description code	C an..3	N	Not used
C212	Item number identification	C	R	
7140	Item identifier	C an..35	R an..35	GTIN
7143	Item type identification code	C an..3	R an..3	EN International Article Numbering Association (EAN)
1131	Code list identification code	C an..17	N	Not used
3055	Code list responsible agency code	C an..3	N	Not used
C829	Sub-line information	C	N	
5495	Sub-line indicator code	C an..3	N	Not used
1082	Line item identifier	C an..6	N	Not used
1222	Configuration level number	C n..2	N	Not used
7083	Configuration operation code	C an..3	N	Not used

Remark:

Example:

LIN+0001++7398510156164:EN'

No = Consecutive segment number
 MaxOcc = Maximum occurrence of the segment/group
 Counter = Counter of segment/group within the standard

St = Status
 EDIFACT: M=Mandatory, C=Conditional
 User specific: R=Required, O=Optional, D=Dependent,
 A=Advised, N=Not used

Segments

Counter	No	Tag	St	MaxOcc	Level	Name
1030		SG28	R	99999	1	LIN-PIA-IMD-MEA-QTY-DTM-MOA-FTX-SG29-SG32-SG33-SG34-SG37-SG43
1050	24	PIA	O	1	2	Additional article identifier(s) 1

Standard			Implementation	
Tag	Name	St Format	St Format	Usage / Remark
PIA				
4347	Product identifier code qualifier	M an..3	R an..3	1 Additional identification
C212	Item number identification	M	R	
7140	Item identifier	C an..35	R an..35	Additional Article Number 1
7143	Item type identification code	C an..3	C an..3	Secondary codes BP Buyer's part number SA Supplier's article number SRS RSK number SG Standard group of products (mixed assortment) SN Serial number MF Manufacturer's (producer's) article number DW Drawing MP Product/service identification number Code MP uses for TUN Number in Denmark NO1 Nobb nr NRF Norske Rørgrossisters artikelnummer EFO Norske elektrobranchens artikelnr ZBF Finfo nr/ Vilma ZES E-nummer Svenska elgrossistföreningen EB Enbart bearbetning ZMV Katalognr för modul/variant GU Säljarens grupperande kod ZZ Individnr vid t.ex.datorköp
1131	Code list identification code	C an..17	N	Not used
3055	Code list responsible agency code	C an..3	O an..3	91 Assigned by seller or seller's agent 92 Assigned by buyer or buyer's agent
C212	Item number identification	C	O	See group C212 #1
7140	Item identifier	C an..35	O an..35	
7143	Item type identification code	C an..3	O an..3	
1131	Code list identification code	C an..17	N	Not used
3055	Code list responsible agency code	C an..3	O an..3	
C212	Item number identification	C	O	See group C212 #1
7140	Item identifier	C an..35	O an..35	
7143	Item type identification code	C an..3	O an..3	
1131	Code list identification code	C an..17	N	Not used

No = Consecutive segment number
 MaxOcc = Maximum occurrence of the segment/group
 Counter = Counter of segment/group within the standard

St = Status
 EDIFACT: M=Mandatory, C=Conditional
 User specific: R=Required, O=Optional, D=Dependent, A=Advised, N=Not used

Segments

		Standard		Implementation		
Tag	Name	St	Format	St	Format	Usage / Remark
3055	Code list responsible agency code	C	an..3	O	an..3	
C212	Item number identification	C		O		See group C212 #1
7140	Item identifier	C	an..35	O	an..35	
7143	Item type identification code	C	an..3	O	an..3	
1131	Code list identification code	C	an..17	N		Not used
3055	Code list responsible agency code	C	an..3	O	an..3	
C212	Item number identification	C		O		See Group C212 #1
7140	Item identifier	C	an..35	O	an..35	
7143	Item type identification code	C	an..3	O	an..3	
1131	Code list identification code	C	an..17	N		Not used
3055	Code list responsible agency code	C	an..3	O	an..3	

Remark:

Any occurrence of CDE C212 may be qualified with one of the listed codes.

Example:

PIA+1+23717986:NO1::91+037203:SA::91+:::91+:::91+:::91'

No = Consecutive segment number
 MaxOcc = Maximum occurrence of the segment/group
 Counter = Counter of segment/group within the standard

St = Status
 EDIFACT: M=Mandatory, C=Conditional
 User specific: R=Required, O=Optional, D=Dependent,
 A=Advised, N=Not used

Segments

Counter	No	Tag	St	MaxOcc	Level	Name
1030		SG28	R	99999	1	LIN-PIA-IMD-MEA-QTY-DTM-MOA-FTX-SG29-SG32-SG33-SG34-SG37-SG43
1060	25	IMD	O	1	2	Description of article or service

		Standard	Implementation	
Tag	Name	St Format	St Format	Usage / Remark
IMD				
7077	Description format code	C an..3	R an..3	F Free-form E Free-form short description
C272	Item characteristic	C	O	
7081	Item characteristic code	C an..3	O an..3	195 Key-word ZAR Article ZGR Produkt- varugrupp ZIT Vara
1131	Code list identification code	C an..17	N	Not used
3055	Code list responsible agency code	C an..3	N	Not used
C273	Item description	C	R	
7009	Item description code	C an..17	N	Not used
1131	Code list identification code	C an..17	N	Not used
3055	Code list responsible agency code	C an..3	N	Not used
7008	Item description	C an..256	O an..256	Description or keyword
7008	Item description	C an..256	O an..256	see 7008 # 1
3453	Language name code	C an..3	O an..3	
7383	Surface or layer code	C an..3	N	Not used

Remark:

Example:

IMD+F+++:::Huggmejsel 95:28 mm:aa'

No = Consecutive segment number
 MaxOcc = Maximum occurrence of the segment/group
 Counter = Counter of segment/group within the standard

St = Status
 EDIFACT: M=Mandatory, C=Conditional
 User specific: R=Required, O=Optional, D=Dependent,
 A=Advised, N=Not used

Segments

Counter	No	Tag	St	MaxOcc	Level	Name
1030		SG28	R	99999	1	LIN-PIA-IMD-MEA-QTY-DTM-MOA-FTX-SG29-SG32-SG33-SG34-SG37-SG43
1070	26	MEA	D	1	2	Article net weight. Not to be used in Norway

		Standard	Implementation	
Tag	Name	St Format	St Format	Usage / Remark
MEA				
6311	Measurement purpose code qualifier	M an..3	R an..3	PD Physical dimensions (product ordered)
C502	Measurement details	C	R	
6313	Measured attribute code	C an..3	R an..3	AAL Net weight Nordic Building AAA Unit net weight AAB Unit gross weight AAD Total gross weight AAF Net net weight ABJ Volume DI Diameter DP Depth HT Height dimension LN Length dimension TH Thickness WD Width dimension WT Weight G1 Kapvinkel 1 G2 Kapvinkel 2 ZFK Volym per lagerenhet ZFV Vikt per basprisenhet X Kap A-R
6321	Measurement significance code	C an..3	O an..3	3 Approximately 4 Equal to
6155	Non-discrete measurement name code	C an..17	N	Not used
6154	Non-discrete measurement name	C an..70	N	Not used
C174	Value/range	C	D	
6411	Measurement unit code	M an..8	R an..8	Typically the measure unit used in other MEA segment concerning the weight shall be the same as the unit given here. KGM kilogram UN/ECE recommendation #20 CMT centimetre MMT millimetre MTR metre DGR Grader
6314	Measure	C an..18	R n..18	Value
6162	Range minimum quantity	C n..18	D n..18	Anv. ändast i samband med kaptyp om längd avviker från

No = Consecutive segment number
 MaxOcc = Maximum occurrence of the segment/group
 Counter = Counter of segment/group within the standard

St = Status
 EDIFACT: M=Mandatory, C=Conditional
 User specific: R=Required, O=Optional, D=Dependent, A=Advised, N=Not used

Segments

		Standard	Implementation	
Tag	Name	St Format	St Format	Usage / Remark
6152	Range maximum quantity	C n..18	D n..18	standard Anv. ändast i samband med kaptyp om längd avviker från standard
6432	Significant digits quantity	C n..2	N	Not used
7383	Surface or layer code	C an..3	N	Not used

Remark:

All article weights should be specified in the same measure unit. Each weight is transmitted in a specific occurrence of the MEA segment where data element 6411 is mandatory in composite C174. This data element should inherit the value of the measure unit common to all article weights.

Use when available

Not to be used in Norway

Example:

MEA+PD+AAL:3+KGM:100:11:9'

No = Consecutive segment number
 MaxOcc = Maximum occurrence of the segment/group
 Counter = Counter of segment/group within the standard

St = Status
 EDIFACT: M=Mandatory, C=Conditional
 User specific: R=Required, O=Optional, D=Dependent,
 A=Advised, N=Not used

Segments

Counter	No	Tag	St	MaxOcc	Level	Name
1030		SG28	R	99999	1	LIN-PIA-IMD-MEA-QTY-DTM-MOA-FTX-SG29-SG32-SG33-SG34-SG37-SG43
1080	27	QTY	R	2	2	Quantity

Standard			Implementation	
Tag	Name	St Format	St Format	Usage / Remark
QTY				
C186	Quantity details	M	R	
6063	Quantity type code qualifier	M an..3	R an..3	21 Ordered quantity 59 Numbers of consumer units in the traded unit
6060	Quantity	M an..35	R an..35	Quantity
6411	Measurement unit code	C an..8	R an..8	Use according to national articel defination IF GTIN is used as item identifier one of the following units If a national standard is used for item identification then the corresponding unit of messurement must be used. PCE Piece MTK square metre MTQ cubic metre MTR metre KGM kilogram

Remark:

Example:

QTY+21:10:PCE'

No = Consecutive segment number
MaxOcc = Maximum occurrence of the segment/group
Counter = Counter of segment/group within the standard

St = Status
EDIFACT: M=Mandatory, C=Conditional
User specific: R=Required, O=Optional, D=Dependent,
A=Advised, N=Not used

Segments

Counter	No	Tag	St	MaxOcc	Level	Name
1030		SG28	R	99999	1	LIN-PIA-IMD-MEA-QTY-DTM-MOA-FTX-SG29-SG32-SG33-SG34-SG37-SG43
1110	28	DTM	O	1	2	Delivery date/time, requested. Only to be used after agreement

Standard			Implementation	
Tag	Name	St Format	St Format	Usage / Remark
DTM				
C507	Date/time/period	M	R	
2005	Date or time or period function code qualifier	M an..3	R an..3	2 Delivery date/time, requested
2380	Date or time or period text	C an..35	O an..35	Date
2379	Date or time or period format code	C an..3	O an..3	102 CCYYMMDD 203 CCYYMMDDHHMM 616 CCYYWW

Remark:

Example:

DTM+2:20070210:102'

No = Consecutive segment number
 MaxOcc = Maximum occurrence of the segment/group
 Counter = Counter of segment/group within the standard

St = Status
 EDIFACT: M=Mandatory, C=Conditional
 User specific: R=Required, O=Optional, D=Dependent,
 A=Advised, N=Not used

Segments

Counter	No	Tag	St	MaxOcc	Level	Name
1030		SG28	R	99999	1	LIN-PIA-IMD-MEA-QTY-DTM-MOA-FTX-SG29-SG32-SG33-SG34-SG37-SG43
1120	29	MOA	O	1	2	Line item amount. Not to be used in Norway

		Standard	Implementation		
Tag	Name	St Format	St Format	Usage / Remark	
MOA					
C516	Monetary amount	M	R		
5025	Monetary amount type code qualifier	M an..3	R an..3	203 Line item amount	
5004	Monetary amount	C n..35	R n..35	Amount	
6345	Currency identification code	C an..3	O an..3	For currency, one may also refer to CUX segment (invoice currency)	
6343	Currency type code qualifier	C an..3	N	Not used	
4405	Status description code	C an..3	N	Not used	

Remark:
Not to be used in Norway

Example:
MOA+203:2500:AED'

No = Consecutive segment number
MaxOcc = Maximum occurrence of the segment/group
Counter = Counter of segment/group within the standard

St = Status
EDIFACT: M=Mandatory, C=Conditional
User specific: R=Required, O=Optional, D=Dependent, A=Advised, N=Not used

Segments

Counter	No	Tag	St	MaxOcc	Level	Name
1030		SG28	R	99999	1	LIN-PIA-IMD-MEA-QTY-DTM-MOA-FTX-SG29-SG32-SG33-SG34-SG37-SG43
1200	30	FTX	O	3	2	Free text

		Standard	Implementation	
Tag	Name	St Format	St Format	Usage / Remark
FTX				
4451	Text subject code qualifier	M an..3	R an..3	CUR Customer remarks PRD Product information LIN Line item
4453	Free text function code	C an..3	N	Not used
C107	Text reference	C	N	
4441	Free text description code	M an..17	N	Not used
1131	Code list identification code	C an..17	N	Not used
3055	Code list responsible agency code	C an..3	N	Not used
C108	Text literal	C	O	
4440	Free text	M an..512	R an..512	
4440	Free text	C an..512	O an..512	
4440	Free text	C an..512	O an..512	
4440	Free text	C an..512	O an..512	
4440	Free text	C an..512	O an..512	
3453	Language name code	C an..3	O an..3	Language code ISO standard SV Swedish
4447	Free text format code	C an..3	N	Not used

Remark:

Example:

FTX+PRD+++Obs Röda hantag:::X:X+SV'

No = Consecutive segment number
 MaxOcc = Maximum occurrence of the segment/group
 Counter = Counter of segment/group within the standard

St = Status
 EDIFACT: M=Mandatory, C=Conditional
 User specific: R=Required, O=Optional, D=Dependent,
 A=Advised, N=Not used

Segments

Counter	No	Tag	St	MaxOcc	Level	Name
1210		SG29	C	999	2	CCI-CAV-MEA Under construction will be clear in next version. Characteristics
1220	31	CCI	M	1	2	Characteristic/class id. Details will be added later

		Standard	Implementation		
Tag	Name	St Format	St Format	Usage / Remark	
CCI					
7059	Class type code	C an..3	O an..3	11 Product	
C502	Measurement details	C	O		
6313	Measured attribute code	C an..3	O an..3		
6321	Measurement significance code	C an..3	O an..3		
6155	Non-discrete measurement name code	C an..17	O an..17		
6154	Non-discrete measurement name	C an..70	O an..70		
C240	Characteristic description	C	O		
7037	Characteristic description code	M an..17	R an..17	CH Characteristic	
1131	Code list identification code	C an..17	N	Not used	
3055	Code list responsible agency code	C an..3	N	Not used	
7036	Characteristic description	C an..35	O an..35		
7036	Characteristic description	C an..35	O an..35		
4051	Characteristic relevance code	C an..3	O an..3		

Remark:

Example:

CCI+11+:::X+CH:::Text:Text+1'

No = Consecutive segment number
 MaxOcc = Maximum occurrence of the segment/group
 Counter = Counter of segment/group within the standard

St = Status
 EDIFACT: M=Mandatory, C=Conditional
 User specific: R=Required, O=Optional, D=Dependent,
 A=Advised, N=Not used

Segments

Counter	No	Tag	St	MaxOcc	Level	Name
1210		SG29	C	999	2	CCI-CAV-MEA
						Under construction will be clear in next version. Characteristics
1230	32	CAV	R	10	3	Characteristic value

Standard			Implementation	
Tag	Name	St Format	St Format	Usage / Remark
CAV				
C889	Characteristic value	M	R	
7111	Characteristic value description code	C an..3	O an..3	
1131	Code list identification code	C an..17	N	Not used
3055	Code list responsible agency code	C an..3	N	Not used
7110	Characteristic value description	C an..35	N	Not used
7110	Characteristic value description	C an..35	N	Not used

Remark:

Example:

CAV+X'

No = Consecutive segment number
 MaxOcc = Maximum occurrence of the segment/group
 Counter = Counter of segment/group within the standard

St = Status
 EDIFACT: M=Mandatory, C=Conditional
 User specific: R=Required, O=Optional, D=Dependent,
 A=Advised, N=Not used

Segments

Counter	No	Tag	St	MaxOcc	Level	Name
1210		SG29	C	999	2	CCI-CAV-MEA
						Under construction will be clear in next version. Characteristics
1240	33	MEA	R	10	3	Measurements. Details will be added later

		Standard	Implementation	
Tag	Name	St Format	St Format	Usage / Remark
MEA				
6311	Measurement purpose code qualifier	M an..3	R an..3	
C502	Measurement details	C	O	
6313	Measured attribute code	C an..3	O an..3	
6321	Measurement significance code	C an..3	O an..3	
6155	Non-discrete measurement name code	C an..17	O an..17	
6154	Non-discrete measurement name	C an..70	O an..70	
C174	Value/range	C	O	
6411	Measurement unit code	M an..8	R an..8	MTK square metre
6314	Measure	C an..18	O an..18	
6162	Range minimum quantity	C n..18	O n..18	
6152	Range maximum quantity	C n..18	O n..18	
6432	Significant digits quantity	C n..2	O n..2	
7383	Surface or layer code	C an..3	O an..3	

Remark:

Example:

MEA+AAA+:::X+MTK:::9+1S'

No = Consecutive segment number
 MaxOcc = Maximum occurrence of the segment/group
 Counter = Counter of segment/group within the standard

St = Status
 EDIFACT: M=Mandatory, C=Conditional
 User specific: R=Required, O=Optional, D=Dependent,
 A=Advised, N=Not used

Segments

Counter	No	Tag	St	MaxOcc	Level	Name
	1320	SG32	O	4	2	Price details. Not to be used without special agreement
	1330	34 PRI	R	1	2	Price details. Not to be used without special agreement

Standard			Implementation	
Tag	Name	St Format	St Format	Usage / Remark
PRI				
C509	Price information	C	R	
5125	Price code qualifier	M an..3	R an..3	AAA Calculation net AAB Calculation gross AAE Information price, excluding allowances or charges, including taxes INF Information
5118	Price amount	C n..15	R n..15	
5375	Price type code	C an..3	O an..3	CA Catalogue CT Contract
5387	Price specification code	C an..3	R an..3	CON Contract price PRP Promotional price ABL Base price RTP Retail price NC Utan debitering
5284	Unit price basis quantity	C n..9	O n..9	Price per 1000, 100, 1
6411	Measurement unit code	C an..8	O an..8	UN/ECE recommendation
5213	Sub-line item price change operation code	C an..3	N	Not used

Remark:
Only to be used after agreement

Example:
PRI+AAA:45.00:CA:CON:10:MTK'

No = Consecutive segment number
MaxOcc = Maximum occurrence of the segment/group
Counter = Counter of segment/group within the standard

St = Status
EDIFACT: M=Mandatory, C=Conditional
User specific: R=Required, O=Optional, D=Dependent,
A=Advised, N=Not used

Segments

Counter	No	Tag	St	MaxOcc	Level	Name
1380		SG33	C	10	2	RFF-DTM
1390	35	RFF	M	1	2	Reference

Standard			Implementation	
Tag	Name	St Format	St Format	Usage / Remark
RFF				
C506	Reference	M	R	
1153	Reference code qualifier	M an..3	R an..3	Secondary codes ADE Account number ADT Group accounting AOU Cost account AEP Project number AER Project specification number COF Call off order number CR Customer reference number CT Contract number ON Buyers order number PL Price list number PD Promotion deal number LI Line item reference number UC Ultimate customer's reference number AAL Drawing number
1154	Reference identifier	C an..70	O an..70	
1156	Document line identifier	C an..6	O an..6	
4000	Reference version identifier	C an..35	N	Not used
1060	Revision identifier	C an..6	N	Not used

Remark:

Example:

RFF+ADE:4565-85:21'

No = Consecutive segment number
 MaxOcc = Maximum occurrence of the segment/group
 Counter = Counter of segment/group within the standard

St = Status
 EDIFACT: M=Mandatory, C=Conditional
 User specific: R=Required, O=Optional, D=Dependent,
 A=Advised, N=Not used

Segments

Counter	No	Tag	St	MaxOcc	Level	Name
1380		SG33	C	10	2	RFF-DTM
1400	36	DTM	O	1	3	Date/time/period

Standard			Implementation	
Tag	Name	St Format	St Format	Usage / Remark
DTM				
C507	Date/time/period	M	R	
2005	Date or time or period function code qualifier	M an..3	R an..3	171 Reference date/time
2380	Date or time or period text	C an..35	O an..35	Date
2379	Date or time or period format code	C an..3	O an..3	102 CCYYMMDD

Remark:

Example:

DTM+171:20070130:102'

No = Consecutive segment number
 MaxOcc = Maximum occurrence of the segment/group
 Counter = Counter of segment/group within the standard

St = Status
 EDIFACT: M=Mandatory, C=Conditional
 User specific: R=Required, O=Optional, D=Dependent,
 A=Advised, N=Not used

Segments

Counter	No	Tag	St	MaxOcc	Level	Name
1430		SG34	O	99	2	Package Not to be used in Norway Not to be used in Norway
1440	37	PAC	R	1	2	Package Not to be used in Norway

		Standard	Implementation	
Tag	Name	St Format	St Format	Usage / Remark
PAC				
7224	Package quantity	C n..8	O n..8	Antal kolli
C531	Packaging details	C	N	
7075	Packaging level code	C an..3	N	Not used
7233	Packaging related description code	C an..3	N	Not used
7073	Packaging terms and conditions code	C an..3	N	Not used
C202	Package type	C	R	
7065	Package type description code	C an..17	N	Not used
1131	Code list identification code	C an..17	N	Not used
3055	Code list responsible agency code	C an..3	N	Not used
7064	Type of packages	C an..35	O an..35	Free text
C402	Package type identification	C	N	
7077	Description format code	M an..3	N	Not used
7064	Type of packages	M an..35	N	Not used
7143	Item type identification code	C an..3	N	Not used
7064	Type of packages	C an..35	N	Not used
7143	Item type identification code	C an..3	N	Not used
C532	Returnable package details	C	N	
8395	Returnable package freight payment responsibility code	C an..3	N	Not used
8393	Returnable package load contents code	C an..3	N	Not used

Remark:

Example:

PAC+2+++:::Trälåda'

No = Consecutive segment number
 MaxOcc = Maximum occurrence of the segment/group
 Counter = Counter of segment/group within the standard

St = Status
 EDIFACT: M=Mandatory, C=Conditional
 User specific: R=Required, O=Optional, D=Dependent,
 A=Advised, N=Not used

Segments

Counter	No	Tag	St	MaxOcc	Level	Name
1510		SG36	C	5	3	PCI-GIN
		Not to be used in Norway				
1520	38	PCI	R	1	3	Package identification. Not to be used in Norway

		Standard	Implementation	
Tag	Name	St Format	St Format	Usage / Remark
PCI				
4233	Marking instructions code	C an..3	R an..3	16 Buyer's instructions
C210	Marks & labels	C	O	
7102	Shipping marks description	M an..35	R an..35	Marks
7102	Shipping marks description	C an..35	O an..35	Marks
7102	Shipping marks description	C an..35	O an..35	Marks
7102	Shipping marks description	C an..35	O an..35	Marks
7102	Shipping marks description	C an..35	N	Not used
7102	Shipping marks description	C an..35	N	Not used
7102	Shipping marks description	C an..35	N	Not used
7102	Shipping marks description	C an..35	N	Not used
7102	Shipping marks description	C an..35	N	Not used
8275	Container or package contents indicator code	C an..3	N	Not used
C827	Type of marking	C	N	
7511	Marking type code	M an..3	N	Not used
1131	Code list identification code	C an..17	N	Not used
3055	Code list responsible agency code	C an..3	N	Not used

Remark:

Example:

PCI+16+Plan 4 rum 2:::X'

No = Consecutive segment number
 MaxOcc = Maximum occurrence of the segment/group
 Counter = Counter of segment/group within the standard

St = Status
 EDIFACT: M=Mandatory, C=Conditional
 User specific: R=Required, O=Optional, D=Dependent,
 A=Advised, N=Not used

Segments

Counter	No	Tag	St	MaxOcc	Level	Name
1510		SG36	C	5	3	PCI-GIN
		Not to be used in Norway				
1550	39	GIN	C	3	4	Goods identity number. Not to be used in Norway

		Standard	Implementation	
Tag	Name	St Format	St Format	Usage / Remark
GIN				
7405	Object identification code qualifier	M an..3	R an..3	BN Serial number UN EAN/UPC number
C208	Identity number range	M	R	
7402	Object identifier	M an..35	R an..35	
7402	Object identifier	C an..35	N	Not used
C208	Identity number range	C	N	
7402	Object identifier	M an..35	N	Not used
7402	Object identifier	C an..35	N	Not used
C208	Identity number range	C	N	
7402	Object identifier	M an..35	N	Not used
7402	Object identifier	C an..35	N	Not used
C208	Identity number range	C	N	
7402	Object identifier	M an..35	N	Not used
7402	Object identifier	C an..35	N	Not used
C208	Identity number range	C	N	
7402	Object identifier	M an..35	N	Not used
7402	Object identifier	C an..35	N	Not used

Remark:

Example:

GIN+BN+2546870126545978'

No = Consecutive segment number
 MaxOcc = Maximum occurrence of the segment/group
 Counter = Counter of segment/group within the standard

St = Status
 EDIFACT: M=Mandatory, C=Conditional
 User specific: R=Required, O=Optional, D=Dependent,
 A=Advised, N=Not used

Segments

Counter	No	Tag	St	MaxOcc	Level	Name
1560		SG37	O	9999	2	LOC Only to be used after agreement
1570	40	LOC	R	1	2	Place/location identification. Only to be used after agreement

Standard			Implementation	
Tag	Name	St Format	St Format	Usage / Remark
LOC				
3227	Location function code qualifier	M an..3	R an..3	7 Place of delivery
C517	Location identification	C	O	
3225	Location name code	C an..35	O an..35	GLN
1131	Code list identification code	C an..17	N	Not used
3055	Code list responsible agency code	C an..3	N	Not used
3224	Location name	C an..256	O an..256	Place in free text
C519	Related location one identification	C	N	
3223	First related location name code	C an..25	N	Not used
1131	Code list identification code	C an..17	N	Not used
3055	Code list responsible agency code	C an..3	N	Not used
3222	First related location name	C an..70	N	Not used
C553	Related location two identification	C	N	
3233	Second related location name code	C an..25	N	Not used
1131	Code list identification code	C an..17	N	Not used
3055	Code list responsible agency code	C an..3	N	Not used
3232	Second related location name	C an..70	N	Not used
5479	Relation code	C an..3	N	Not used

Remark:

Example:

LOC+7+X:::Trappa 5 plan 4'

No = Consecutive segment number
 MaxOcc = Maximum occurrence of the segment/group
 Counter = Counter of segment/group within the standard

St = Status
 EDIFACT: M=Mandatory, C=Conditional
 User specific: R=Required, O=Optional, D=Dependent,
 A=Advised, N=Not used

Segments

Counter	No	Tag	St	MaxOcc	Level	Name
1780		SG43	O	5	2	ALC-SG45
		Not to be used in Norway				
1790	41	ALC	R	1	2	Allowance or charge. Not to be used in Norway

		Standard	Implementation		
Tag	Name	St Format	St Format	Usage / Remark	
ALC					
5463	Allowance or charge code qualifier	M an..3	R an..3	A Allowance C Charge	
C552	Allowance/charge information	C	O		
1230	Allowance or charge identifier	C an..35	O an..35	Reason for Allowance or charge	
5189	Allowance or charge identification code	C an..3	N	Not used	
4471	Settlement means code	C an..3	N	Not used	
1227	Calculation sequence code	C an..3	O an..3	1 First step of calculation 2 Second step of calculation 3 Third step of calculation 4 Fourth step of calculation	
C214	Special services identification	C	O		
7161	Special service description code	C an..3	O an..3	CL Contract allowance PAE Promotional discount ZDG Discount group	
1131	Code list identification code	C an..17	N	Not used	
3055	Code list responsible agency code	C an..3	N	Not used	
7160	Special service description	C an..35	N	Not used	
7160	Special service description	C an..35	N	Not used	

Remark:
Only to be used after agreement

Example:
ALC+A+Kampanj++1+PAE'

No = Consecutive segment number
 MaxOcc = Maximum occurrence of the segment/group
 Counter = Counter of segment/group within the standard

St = Status
 EDIFACT: M=Mandatory, C=Conditional
 User specific: R=Required, O=Optional, D=Dependent,
 A=Advised, N=Not used

Segments

Counter	No	Tag	St	MaxOcc	Level	Name
1850		SG45	C	1	3	PCD
		Not to be used in Norway				
1860	42	PCD	R	1	3	Percentage details. Not to be used in Norway

		Standard	Implementation		
Tag	Name	St Format	St Format	Usage / Remark	
PCD					
C501	Percentage details	M	R		
5245	Percentage type code qualifier	M an..3	R an..3	3 Allowance or charge	
5482	Percentage	C n..10	O n..10		
5249	Percentage basis identification code	C an..3	N	Not used	
1131	Code list identification code	C an..17	N	Not used	
3055	Code list responsible agency code	C an..3	N	Not used	
4405	Status description code	C an..3	N	Not used	

Remark:
Only to be used after agreement

Example:
PCD+3:3.5'

No = Consecutive segment number
MaxOcc = Maximum occurrence of the segment/group
Counter = Counter of segment/group within the standard

St = Status
EDIFACT: M=Mandatory, C=Conditional
User specific: R=Required, O=Optional, D=Dependent,
A=Advised, N=Not used

Segments

Counter	No	Tag	St	MaxOcc	Level	Name
2330	43	UNS	M	1	0	Section control

Standard			Implementation	
Tag	Name	St Format	St Format	Usage / Remark
UNS				
0081	Section identification	M a1	M a1	S Detail/summary section separation

Remark:

Example:

UNS+S'

No = Consecutive segment number
 MaxOcc = Maximum occurrence of the segment/group
 Counter = Counter of segment/group within the standard

St = Status
 EDIFACT: M=Mandatory, C=Conditional
 User specific: R=Required, O=Optional, D=Dependent,
 A=Advised, N=Not used

Segments

Counter	No	Tag	St	MaxOcc	Level	Name
2340	44	MOA	O	1	1	Monetary amount. Not to be used in Norway

Standard			Implementation	
Tag	Name	St Format	St Format	Usage / Remark
MOA				
C516	Monetary amount	M	R	
5025	Monetary amount type code qualifier	M an..3	R an..3	79 Total line items amount
5004	Monetary amount	C n..35	R n..35	Amount
6345	Currency identification code	C an..3	N	Not used
6343	Currency type code qualifier	C an..3	N	Not used
4405	Status description code	C an..3	N	Not used

Remark:

Example:

MOA+79:1234'

No = Consecutive segment number
 MaxOcc = Maximum occurrence of the segment/group
 Counter = Counter of segment/group within the standard

St = Status
 EDIFACT: M=Mandatory, C=Conditional
 User specific: R=Required, O=Optional, D=Dependent,
 A=Advised, N=Not used

Segments

Counter	No	Tag	St	MaxOcc	Level	Name
2350	45	CNT	O	2	1	Control total

Standard			Implementation	
Tag	Name	St Format	St Format	Usage / Remark
CNT				
C270	Control	M	R	
6069	Control total type code qualifier	M an..3	R an..3	1 Total of line item quantities 2 Number of line items in message
6066	Control total quantity	M n..18	R n..10	Quantity / Control value
6411	Measurement unit code	C an..8	O an..8	UN/ECE recommendation 20 PCE Piece

Remark:

Example:

CNT+1:9:PCE'

No = Consecutive segment number
 MaxOcc = Maximum occurrence of the segment/group
 Counter = Counter of segment/group within the standard

St = Status
 EDIFACT: M=Mandatory, C=Conditional
 User specific: R=Required, O=Optional, D=Dependent,
 A=Advised, N=Not used

Segments

Counter	No	Tag	St	MaxOcc	Level	Name
2400	46	UNT	M	1	0	Message trailer

Standard			Implementation	
Tag	Name	St Format	St Format	Usage / Remark
UNT				
0074	Number of segments in a message	M n..10	R n..10	
0062	Message reference number	M an..14	R an..14	

Remark:

Example:

UNT+78+1'

No = Consecutive segment number
 MaxOcc = Maximum occurrence of the segment/group
 Counter = Counter of segment/group within the standard

St = Status
 EDIFACT: M=Mandatory, C=Conditional
 User specific: R=Required, O=Optional, D=Dependent,
 A=Advised, N=Not used

Segments

Counter	No	Tag	St	MaxOcc	Level	Name
0000	47	UNZ	R	1	0	Interchange trailer

Standard			Implementation	
Tag	Name	St Format	St Format	Usage / Remark
UNZ				
0036	Interchange control count	M n..6	R n..6	
0020	Interchange control reference	M an..14	R an..14	

Remark:

Example:

UNZ+1+1234'

No = Consecutive segment number
 MaxOcc = Maximum occurrence of the segment/group
 Counter = Counter of segment/group within the standard

St = Status
 EDIFACT: M=Mandatory, C=Conditional
 User specific: R=Required, O=Optional, D=Dependent,
 A=Advised, N=Not used