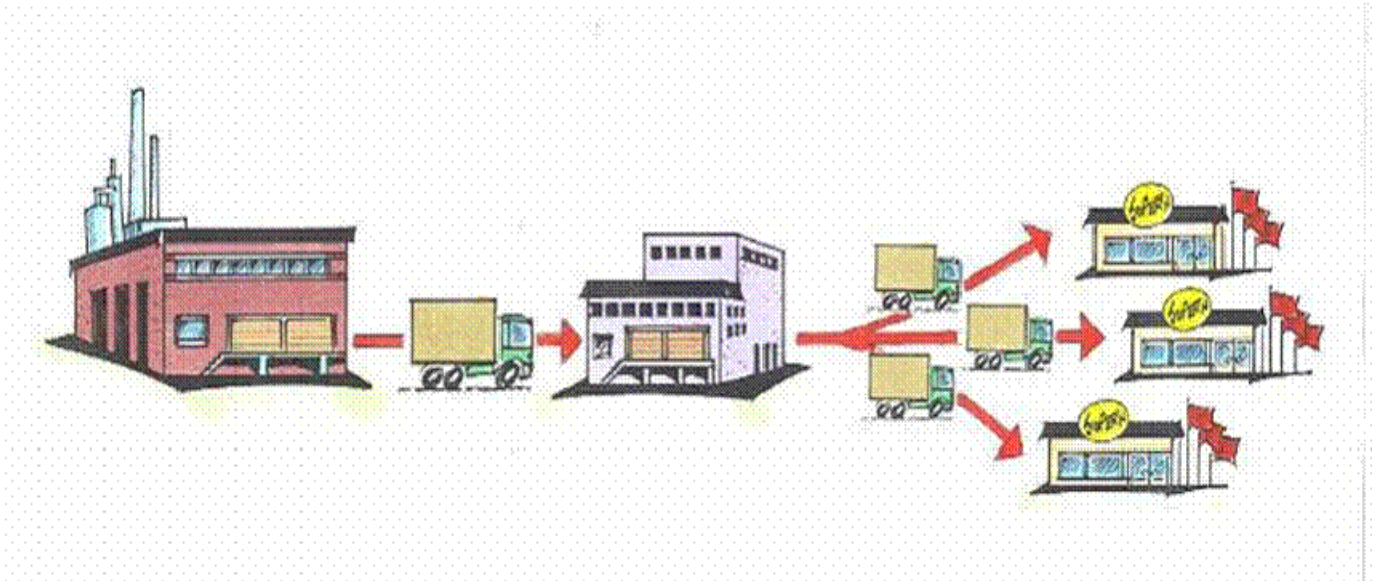


# User Guide for international trade of building materials

## Nordic eBuilding EDI guide for EDIFACT DESADV



EDIFACT-message: DESADV  
EDIFACT-version: D  
EDIFACT-release: 03A  
EDIFACT-status: QA not performed  
Version: NeB 01.00  
Date: 31.03.2008

Table of content

1. CHANGE LOG .....3

2. GENERAL.....4

    2.1. INTRODUCTION.....4

    2.2. DEVELOPMENT/MAINTENANCE.....4

3. MESSAGE DESCRIPTION .....4

    3.1. DEFINITION .....4

    3.2. PRINCIPLES.....4

    3.3. STRUCTURE .....5

    3.4. PARTIES.....5

    3.5. ARTICLE IDENTIFICATION .....6

    3.6. UNIT OF MEASURE (UOM).....6

    3.7. INCOTERMS .....6

    3.8. REFERENCES.....6

4. EXAMPLE OF DESADV MESSAGE .....7

5. SEGMENT STRUCTURE.....9

6. SEGMENT DIAGRAM.....11

7. DESCRIPTION OF SEGMENTS IN DETAIL.....17

1. CHANGE LOG

Date	New version	Segment group and segment	Description	Approved by and when
20080331	NeB 01 00		New version is presented	SG 20080404

## 2. GENERAL

### 2.1. Introduction

This user guide is a part of a series of EDI message handbooks established with the purpose of making electrical business easier by using standards for the content of each message. A common name of this series of message guides is "EDI user guides for international trade with building articles".

This document is a user guide with the name «**Nordic eBuilding EDI guide EDIFACT DESADV**».

Similar user guides will be available for the messages ORDERS, ORDRSP, INVOIC and PRICAT.

Objective for making this series of user guides is to promote and use them as a standard way of doing electrical business both in national but also in international business. The documentation will be made available to every party who want to implement it in their business with trading partners.

### 2.2. Development/Maintenance

This user guide is developed based on information requirements experienced during the last 10 years in nordic countries. The documentation is produced by a project group consisting of people from BEAST (, Sweden) and TBF (Trelast og byggevarehandelens fellesorganisasjon, Norway). TUN (Trelast Unionen, Danmark ) has supported with their needs of information in the different messages.

The user guides are based on the information elements in use in Sweden, Norway and Denmark to day and is intended over time to replace the national standard which are in use to day.

The new standard contains codes and qualifier which will be the same across borders. This is the huge benefit of this new standard..

Maintenance of this user guide will be outsourced to xxxxxxx. Based on experiences and requests from users, a competent management group have to decide the changes which xxxxxxx in turn will include into the user guide document.

Quality assurance of this document will be handled by yyyyyyy..

Changes in this document will be updated in the Change Log in chapter 1 of this document.

## 3. MESSAGE DESCRIPTION

### 3.1. Definition

The despatch advice is a message to be sent from the vendor to the buyer of goods or articles and is an announcement of a coming delivery of goods. It tells what type of packages the delivery consist of and which articles is contained in each package (advanced model). The message has reference to both purchase order number from the buyer and the order number from the vendor at header level and at line item level with line number in the purchase order in addition.

The order response message will normally be sent to the forwarder of the purchase order message (ORDERS) but actually it is at the delivery place the benefit of the message is most important.

The despatch advice may be produced and sent at three different levels of ambition (see chapter 3.3 and 3.4) after agreement between the trading partners.

The despatch advice messages shall be numbered by the vendor with his delivery note number which shall be used as the identification of the document..

### 3.2. Principles

It is recommended to use the one-to-one principle that one despatch advice message has reference to only one orders response and one purchase order message.

Other types of usage must be agreed on between the trading parties.

The despatch advice message may be used in three different ways where information in the header section is the same, but where the detail part is organized in different ways.

1. The simplest model tells which articles are to be delivered and has no packing information.
2. The more advanced model tells what type of packages the goods are delivered in and the identification of them. There is no connection between the single package and which articles it contains.
3. The advanced model tells the whole structure of packaging and which articles and numbers of them are contained in each package.

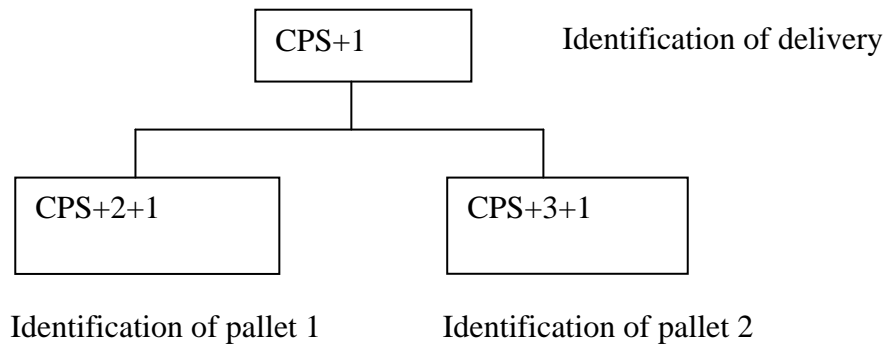
It is important that the quantity of each article in the despatch advice has the same quantity as in the orders response message.

It is also important that the despatch advice message contains the same quantity values as will be delivered and also will be used in the invoice message.

### 3.3. Structure

The message despatch advice is divided into the header section, the detail section and the summary section. The detail section is divided into a group part and a part with line items. The group part is used to give information of the packages used in the delivery, which levels of packaging and the type of packages. To each package it is possible to connect both identification and physical measures and weight and also which articles are contained in the package.

Example of delivery in two pallets



A delivery may in the simplest model be identified by the highest level CPS+1.

In the more advanced models it is possible to give information about type of and number packages contained in the delivery.

In the most advanced model is each package located in a hierarchical structure as shown in the picture and identified by CPS+M+N where M is a sequence number in the package hierarchy and N is the package number in the package hierarchy which is the parent to M.

The line item part of the despatch advice consists of a repeating sequence of segments always starting with LIN.

In model 1 and two in chapter 3.2 the quantity of an article is given independent of the article is contained in different packages (ex pallets).

In model 3 will the article line items contained in the package (ex pallet) follow the actual package and thereby tell where they are located.

### 3.4. Parties

Parties involved in a business transaction must be uniquely identified, and the preferred identifier is GLN (Global location number). End user and delivery place will usually not have a GLN and has to be identified by name and address.

Identification of involved parties must be exchanged between the trading parties before going live.

### 3.5. Article identification

Trade between buyer and supplier must be based on knowledge of article identification between the trading parties. This information must be exchanged in advance if not available from branch or national databases.

For trade across borders the use of GTIN (Global Trade Item Number) is highly recommended as article identification. The same principle is recommended also for national trade but here may other national standards for article identification be used after agreement between the trading parties.

The method of identifying articles must be agreed on before electronic trading may start.

### 3.6. Unit of Measure (UOM)

When using GTIN, the unit of measure usually will be PCE (pieces). Some products will be measured in kilos (KGM), meters (MTR) or litres (LTR). This is the recommended standard for UOM and they are typical logistical UOMs..

Branch or national databases with articles often have defined UOMs which often are a description of the type of article. Usually these UOMs are not a logistical UOM (BOT=bottle).

Article catalogue with article identification and Unit of Measure (UOM) has to be exchanged between trading parties before going live.

### 3.7. Incoterms

The Incoterms code is often advice to use in order to be aware of delivery terms for this order. In general will the terms of delivery be a part of the agreement between the trading parties.

More information at <http://www.incoterms.com>

### 3.8. References

This user guide is based on the following documents.

- [1] ISO 9735, versjon 2, 1990.11.01
- [2] UN/EDIFACT Draft directory, D.03A

#### 4. EXAMPLE OF DESADV MESSAGE

DESADV from Vendor to Buyer

Black print = Must be present

Blue print = Optional, may be used

This despatch advice is made for Norway where NOBB is used for identification of article and UOM. In this example also GTIN is included for article identification.

In this example the most advanced model for despatch advice is used.

If the three segments CPS+1+1'PAC+1++PX'PCI+33E+12345678901234567' is removed, we would have the simplest model in this case.

UNA:+,?'

UNB+UNOC:3+9876543210321:14+1234567890123:14+080330:1115+4401'

UNH+1+DESADV:D:03A:UN:NEB01'

BGM+351+30811'

DTM+137:200803301110:203'

DTM+69:20080331:102'

RFF+ON:42770'

RFF+VN:3081'

RFF+AEP:NOR-123'

NAD+SU+1234567890123::9'

RFF+VA:NO987654321MVA'

NAD+BY+2345678901123::9'

NAD+IV+1230123456789::9'

NAD+DP+7080000448494::9+++Byggnakker Skattum+Valdresveien 4+Gjøvik+++2815'

NAD+UD+++Lise Olsen+Biriveien+Biri+++2820'

TDT+20+3'

TOD+6+++DDP:106'

CPS+1'

CPS+1+1'

PAC+1++PX'

PCI+33E+12345678901234567'

LIN+10+++1234567890123:EN'

PIA+1+12345678:NO1'

PIA+1+1479565:SA'

IMD+F+++:::Description'

QTY+12:8:STK'

RFF+ON:42770:1'

RFF+VN:3081:10'

UNS+S'

CNT+2:1'

UNT+29+1'

UNZ+1+4401'

## Order response example with comments

EDIFACT statement	Description
UNA:+,?'	
UNB+UNOC:3+9876543210321:14+1234567890123:14+080330:1115+4401'	9876543210321:14=sender GLN 1234567890123=receiver GLN 080330:1115=date and time of converting 4401=Message reference
UNH+1+DESADV:D:03A:UN:NEB01'	
BGM+351+30811'	30811=Vendor delivery note number
DTM+137:200803301110:203'	200803241010=Vendor order date and time
DTM+69:20080331:102'	<a href="#">Requested delivery date, Optional</a>
RFF+ON:42770'	20080331=Confirmed delivery date
RFF+VN:3081'	Buyers purchase order number
<a href="#">RFF+AEP:NOR-123'</a>	<a href="#">Project number</a>
NAD+SU+1234567890123::9'	1234567890123=Vendors GLN
RFF+VA:NO987654321MVA'	987654321=VAT number for vendor
NAD+BY+2345678901123::9'	2345678901123=Buyers GLN
NAD+IV+1230123456789::9'	1230123456789=Invoicees GLN
NAD+DP+7080000448494::9++Byggmakker Skattum+Valdresveien 4+Gjøvik++2815'	Address of delivery place
<a href="#">NAD+UD+++Lise Olsen+Biriveien+Biri++2820'</a>	<a href="#">End customer name to be used for marking of goods in case of a customer order</a>
<a href="#">TDT+20+3'</a>	<a href="#">Transport information</a>
TOD+6++DDP:106'	DDP=Terms of delivery with Incoterms code
CPS+1'	Delivery spec starts here
CPS+1+1'	First package
PAC+1++PX'	First package is a pallet
PCI+33E+12345678901234567'	SSCC number on the pallet
LIN+10++1234567890123:EN'	10=Item line number 1234567890123=GTIN number for article
PIA+1+12345678:NO1'	NOBB number for article
<a href="#">PIA+1+1479565:SA'</a>	<a href="#">Vendor article number</a>
IMD+F++::Description'	Article description
QTY+12:8:STK'	8=Quantity to be delivered
RFF+ON:42770:1'	Ref to purchase order and line number
RFF+VN:3081:10'	Ref to Vendor order and line number
UNS+S'	Section delimiter
CNT+2:1'	1=Number of item lines
UNT+29+1'	29=Number of segments 1=Reference in UNH
UNZ+1+4401'	1=One message in this envelope 74001=Message reference (same as in UNB)

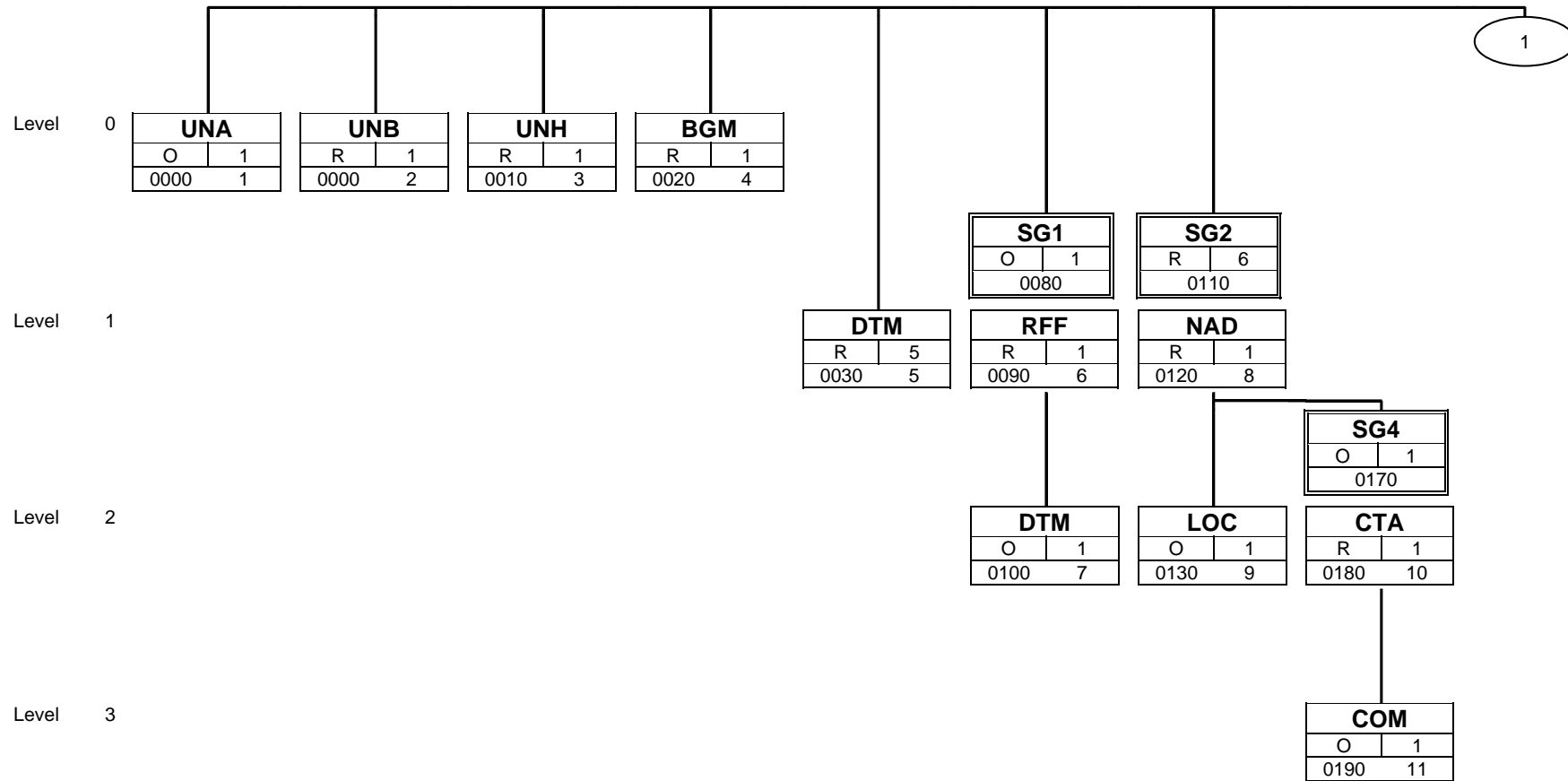


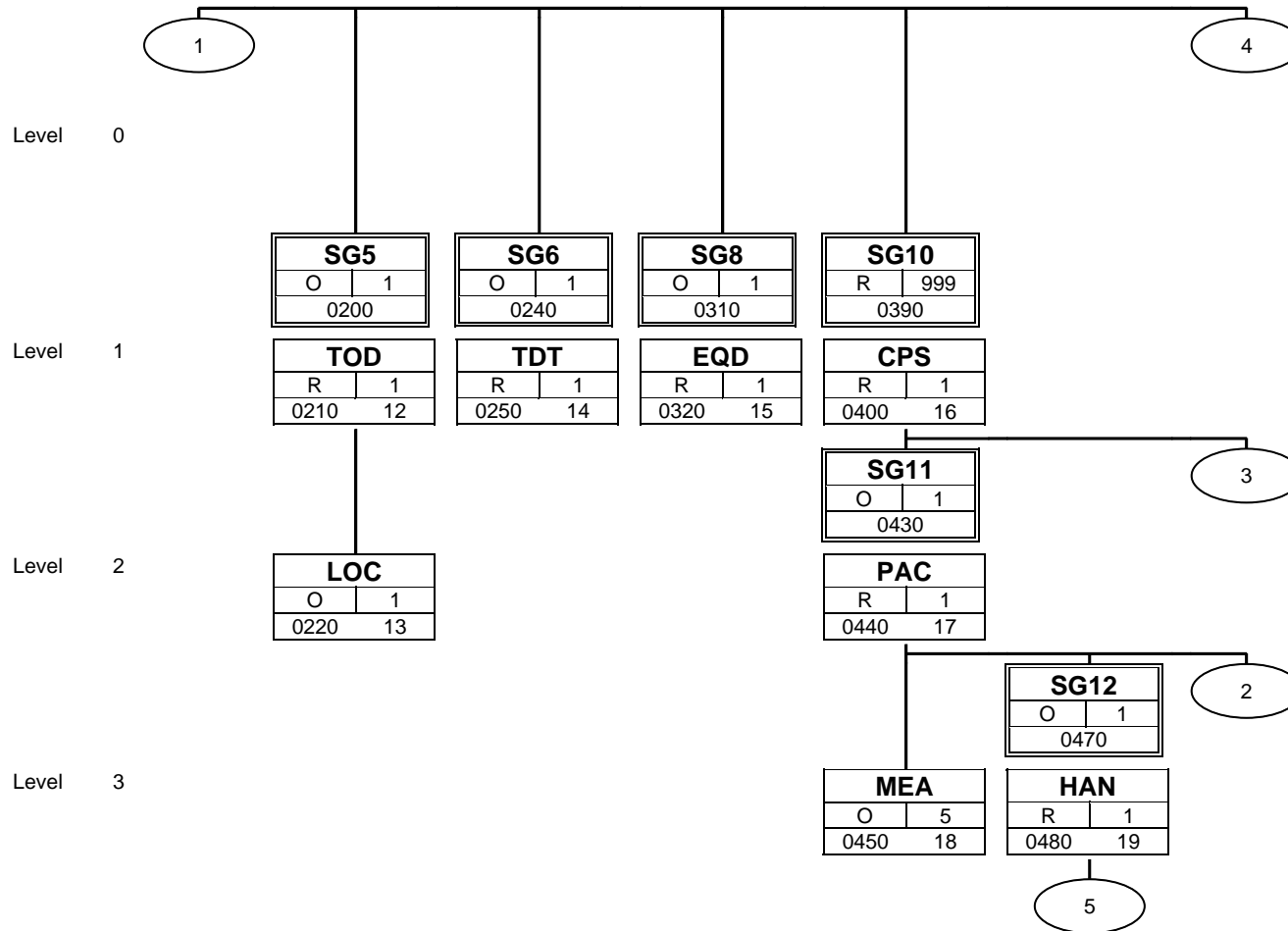
5. SEGMENT STRUCTURE

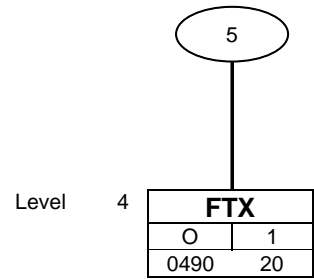
Counte	No	Tag	St	MaxOcc	Level	Content	
	0000	1	UNA	O	1	0	Service string advice
	0000	2	UNB	R	1	0	Interchange header
	0010	3	UNH	R	1	0	Message header
	0020	4	BGM	R	1	0	Beginning of message
	0030	5	DTM	R	5	1	Date/time/period
	0080		SG1	O	1	1	RFF-DTM
	0090	6	RFF	R	1	1	Reference
	0100	7	DTM	O	1	2	Date/time/period
	0110		SG2	R	6	1	NAD-LOC-SG4
	0120	8	NAD	R	1	1	Name and address
	0130	9	LOC	O	1	2	Place/location identification
	0170		SG4	O	1	2	CTA-COM
	0180	10	CTA	R	1	2	Contact information
	0190	11	COM	O	1	3	Communication contact
	0200		SG5	O	1	1	TOD-LOC
	0210	12	TOD	R	1	1	Terms of delivery or transport
	0220	13	LOC	O	1	2	Place/location identification
	0240		SG6	O	1	1	TDT
	0250	14	TDT	R	1	1	Transport information
	0310		SG8	O	1	1	EQD
	0320	15	EQD	R	1	1	Equipment details
	0390		SG10	R	999	1	CPS-SG11-SG17
	0400	16	CPS	R	1	1	Consignment packing sequence
	0430		SG11	O	1	2	PAC-MEA-SG12-SG13
	0440	17	PAC	R	1	2	Package
	0450	18	MEA	O	5	3	Measurements
	0470		SG12	O	1	3	HAN--FTX
	0480	19	HAN	R	1	3	Handling instructions
	0490	20	FTX	O	1	4	Free text
	0500		SG13	O	5	3	PCI-SG15
	0510	21	PCI	R	1	3	Package identification
	0570		SG15	O	5	4	GIN
	0580	22	GIN	R	1	4	Goods identity number
	0650		SG17	R	9999	2	LIN-PIA-IMD-MEA-QTY-DTM-SG18-SG20
	0660	23	LIN	R	1	2	Line item
	0670	24	PIA	O	1	3	Additional product id
	0680	25	IMD	O	1	3	Description of article or service
	0690	26	MEA	O	1	3	Measurements

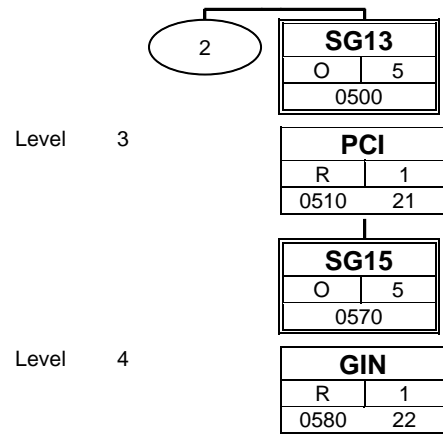
Counte	No	Tag	St	MaxOcc	Level	Content	
	0700	27	QTY	R	1	3	Quantity
	0750	28	DTM	O	2	3	Date/time/period
	0830		SG18	R	3	3	RFF-DTM
	0840	29	RFF	R	1	3	Reference
	0870	30	DTM	O	1	4	Date/time/period
	0920		SG20	O	1	3	Ultimated delivery place
	0930	31	LOC	O	1	3	Place/location identification
	1150	32	CNT	O	2	1	Control total
	1160	33	UNT	R	1	0	Message trailer
	0000	34	UNZ	R	1	0	Interchange trailer

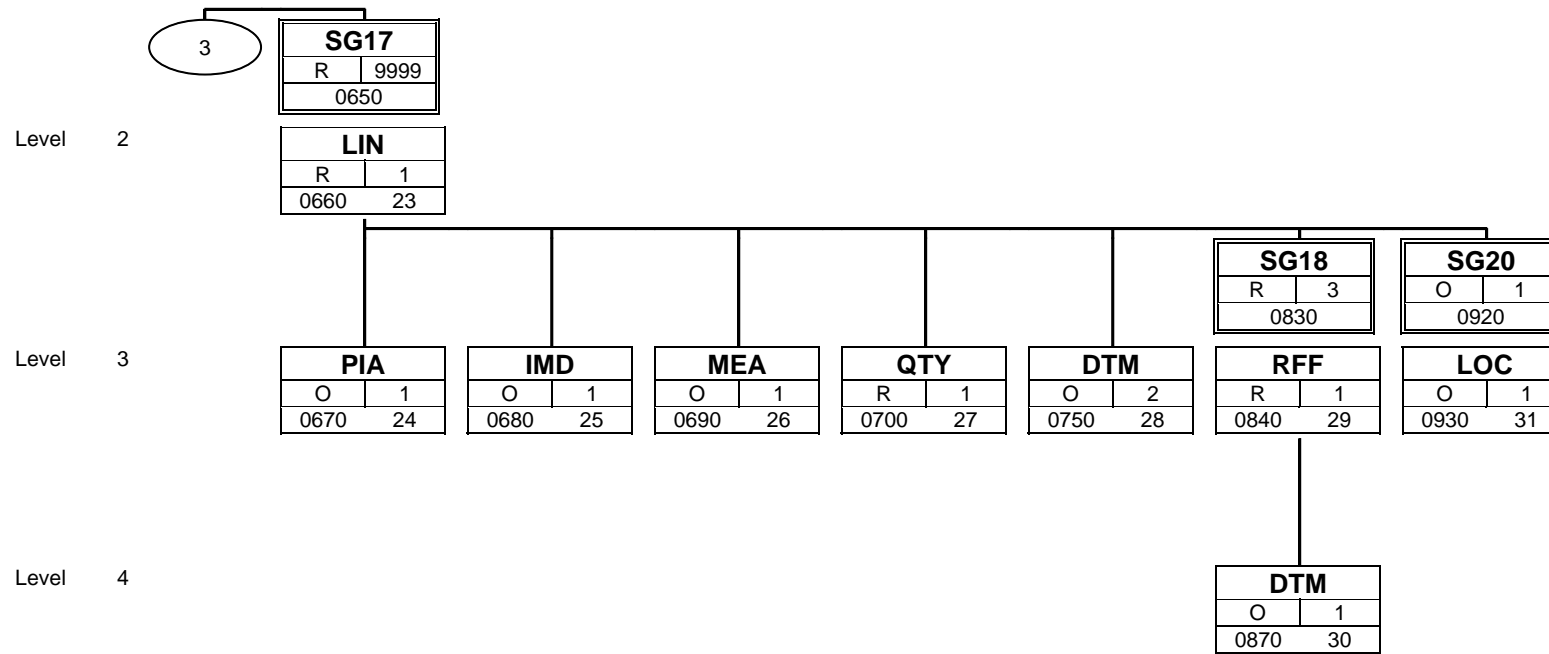
## 6. SEGMENT DIAGRAM

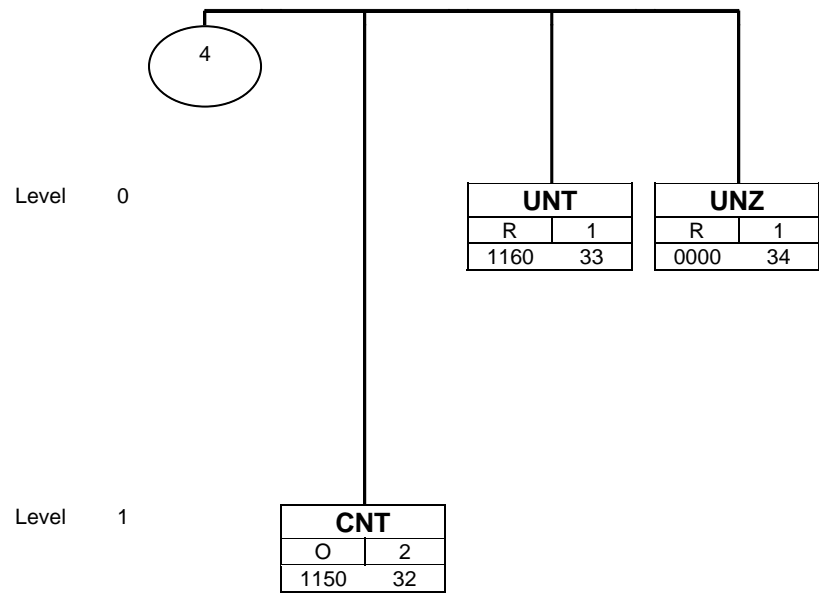














## 7. DESCRIPTION OF SEGMENTS IN DETAIL

This chapter describes all segments and segment groups contained in the DESADV message. Each segment is described with all data elements contained. Not all segments are marked as part of this user guide. Some data elements are described as not used and some are required. See codes for usage in the bottom line.

The content of this chapter should be sufficient in order to determine which data elements is required in an order response message. The example in chapter 4 also helps to describe the content of the message.

Always discuss with your business partner content of the message before you start to exchange electronical documents..

For some data elements where several codes are available, the codes are devided in two parts, primary codes and secondary codes.

Secondary codes are only to be used after agreement with the trading perty.

**Segments**

Counter	No	Tag	St	MaxOcc	Level	Name
0000	1	<b>UNA</b>	O	1	0	Service string advice

Standard			Implementation	
Tag	Name	St Format	St Format	Usage / Remark
UNA				
UNA1	Component data element separator	M an1	M an1	
UNA2	Data element separator	M an1	M an1	
UNA3	Decimal mark	M an1	M an1	
UNA4	Release character	M an1	M an1	
UNA5	Repetition separator	M an1	M an1	
UNA6	Segment terminator	M an1	M an1	

**Remark:**

**Example:**

UNA: + . ? ' |

No = Consecutive segment number  
 MaxOcc = Maximum occurrence of the segment/group  
 Counter = Counter of segment/group within the standard

St = Status  
 EDIFACT: M=Mandatory, C=Conditional  
 User specific: R=Required, O=Optional, D=Dependent,  
 A=Advised, N=Not used

**Segments**

Counter	No	Tag	St	MaxOcc	Level	Name
0000	2	<b>UNB</b>	R	1	0	Interchange header

		Standard	Implementation	
Tag	Name	St Format	St Format	Usage / Remark
UNB				
S001	Syntax identifier	M	R	
0001	Syntax identifier	M a4	M a4	
0002	Syntax version number	M an1	M an1	
0080	Service code list directory version number	C an..6	N	Not used
0133	Character encoding, coded	C an..3	N	Not used
0076	Syntax release number	C an2	N	Not used
S002	Interchange sender	M	R	
0004	Interchange sender identification	M an..35	R an..35	GLN
0007	Identification code qualifier	C an..4	R an..4	<b>14 EAN International</b>
0008	Interchange sender internal identification	C an..35	N	Not used
0042	Interchange sender internal sub-identification	C an..35	N	Not used
S003	Interchange recipient	M	R	
0010	Interchange recipient identification	M an..35	R an..35	GLN
0007	Identification code qualifier	C an..4	R an..4	<b>14 EAN International</b>
0014	Interchange recipient internal identification	C an..35	N	Not used
0046	Interchange recipient internal sub-identification	C an..35	N	Not used
S004	Date and time of preparation	M	R	
0017	Date	M n8	M n8	
0019	Time	M n4	M n4	
0020	Interchange control reference	M an..14	M an..14	
S005	Recipient reference/password details	C	N	
0022	Recipient reference/password	M an..14	N	Not used
0025	Recipient reference/password qualifier	C an2	N	Not used
0026	Application reference	C an..14	N	Not used
0029	Processing priority code	C a1	N	Not used
0031	Acknowledgement request	C n1	D n1	<b>1 Acknowledgement requested</b>
0032	Interchange agreement identifier	C an..35	N	Not used
0035	Test indicator	C n1	C n1	Use only with test

No = Consecutive segment number  
 MaxOcc = Maximum occurrence of the segment/group  
 Counter = Counter of segment/group within the standard

St = Status  
 EDIFACT: M=Mandatory, C=Conditional  
 User specific: R=Required, O=Optional, D=Dependent, A=Advised, N=Not used

**Segments**

		Standard	Implementation	
Tag	Name	St Format	St Format	Usage / Remark
				<b>1 Interchange is a test</b>

**Remark:**

**Example:**

UNB+UNOC:3+7312346678901:14+7398765432101:14+20070411:0928+1234++++1++1'

No = Consecutive segment number  
 MaxOcc = Maximum occurrence of the segment/group  
 Counter = Counter of segment/group within the standard

St = Status  
 EDIFACT: M=Mandatory, C=Conditional  
 User specific: R=Required, O=Optional, D=Dependent,  
 A=Advised, N=Not used

**Segments**

Counter	No	Tag	St	MaxOcc	Level	Name
0010	3	<b>UNH</b>	R	1	0	Message header

		Standard	Implementation		
Tag	Name	St Format	St Format	Usage / Remark	
UNH					
0062	Message reference number	M an..14	M an..14	Message reference number - unique number to identify the message within the interchange, usually a consecutive number starting with 1.	
S009	Message identifier	M	R		
0065	Message type	M an..6	R an..6	<b>DESADV Despatch advice message</b>	
0052	Message version number	M an..3	R an..3	<b>D Draft version/UN/EDIFACT Directory</b>	
0054	Message release number	M an..3	R an..3	<b>03A Release 2003 - A</b>	
0051	Controlling agency, coded	M an..3	R an..3	<b>UN UN/CEFACT NB Nordic Building</b>	
0057	Association assigned code	C an..6	O an..6	<b>NB0801 Nordic Building</b>	
0110	Code list directory version number	C an..6	N	Not used	
0113	Message type sub-function identification	C an..6	N	Not used	
0068	Common access reference	C an..35	N	Not used	
S010	Status of the transfer	C	N		
0070	Sequence of transfers	M n..2	N	Not used	
0073	First and last transfer	C a1	N	Not used	
S016	Message subset identification	C	N		
0115	Message subset identification	M an..14	N	Not used	
0116	Message subset version number	C an..3	N	Not used	
0118	Message subset release number	C an..3	N	Not used	
0051	Controlling agency, coded	C an..3	N	Not used	
S017	Message implementation guideline identification	C	N		
0121	Message implementation guideline identification	M an..14	N	Not used	
0122	Message implementation guideline version number	C an..3	N	Not used	
0124	Message implementation guideline release number	C an..3	N	Not used	
0051	Controlling agency, coded	C an..3	N	Not used	
S018	Scenario identification	C	N		
0127	Scenario identification	M an..14	N	Not used	
0128	Scenario version number	C an..3	N	Not used	
0130	Scenario release number	C an..3	N	Not used	

No = Consecutive segment number  
 MaxOcc = Maximum occurrence of the segment/group  
 Counter = Counter of segment/group within the standard

St = Status  
 EDIFACT: M=Mandatory, C=Conditional  
 User specific: R=Required, O=Optional, D=Dependent,  
 A=Advised, N=Not used

**Segments**

		Standard	Implementation	
Tag	Name	St Format	St Format	Usage / Remark
0051	Controlling agency, coded	C an..3	N	Not used

**Remark:**

**Example:**

UNH+1+DESADV:D:03A:UN:NB0801'

No = Consecutive segment number  
 MaxOcc = Maximum occurrence of the segment/group  
 Counter = Counter of segment/group within the standard

St = Status  
 EDIFACT: M=Mandatory, C=Conditional  
 User specific: R=Required, O=Optional, D=Dependent,  
 A=Advised, N=Not used

**Segments**

Counter	No	Tag	St	MaxOcc	Level	Name
0020	4	<b>BGM</b>	R	1	0	<b>Beginning of message</b>

Standard			Implementation	
Tag	Name	St Format	St Format	Usage / Remark
BGM				
C002	Document/message name	C	R	
1001	Document name code	C an..3	C an..3	<b>351 Despatch advice</b>
1131	Code list identification code	C an..17	N	Not used
3055	Code list responsible agency code	C an..3	N	Not used
1000	Document name	C an..35	N	Not used
C106	Document/message identification	C	R	
1004	Document identifier	C an..35	R an..35	Delivery note number
1056	Version identifier	C an..9	N	Not used
1060	Revision identifier	C an..6	N	Not used
1225	Message function code	C an..3	O an..3	Avtalas <b>1 Cancellation</b> <b>9 Original</b>
4343	Response type code	C an..3	N	Not used

**Remark:**

**Example:**

BGM+351+123456+9'

No = Consecutive segment number  
 MaxOcc = Maximum occurrence of the segment/group  
 Counter = Counter of segment/group within the standard

St = Status  
 EDIFACT: M=Mandatory, C=Conditional  
 User specific: R=Required, O=Optional, D=Dependent,  
 A=Advised, N=Not used

**Segments**

Counter	No	Tag	St	MaxOcc	Level	Name
0030	5	<b>DTM</b>	R	5	1	Date/time/period

Standard			Implementation	
Tag	Name	St Format	St Format	Usage / Remark
DTM				
C507	Date/time/period	M	R	
2005	Date or time or period function code qualifier	M an..3	R an..3	<b>137 Document/message date/time</b> <b>2 Delivery date/time, requested</b> <b>11 Despatch date and or time</b> <b>17 Delivery date/time, estimated</b> <b>69 Delivery date/time, promised for</b>
2380	Date or time or period text	C an..35	R N..12	Document date
2379	Date or time or period format code	C an..3	R an..3	<b>102 CCYYMMDD</b> <b>203 CCYYMMDDHHMM</b> <b>616 CCYYWW</b>

**Remark:**

**Example:**

DTM+137:20070507:102'

No = Consecutive segment number  
 MaxOcc = Maximum occurrence of the segment/group  
 Counter = Counter of segment/group within the standard

St = Status  
 EDIFACT: M=Mandatory, C=Conditional  
 User specific: R=Required, O=Optional, D=Dependent,  
 A=Advised, N=Not used



**Segments**

Counter	No	Tag	St	MaxOcc	Level	Name
0080		<b>SG1</b>	O	1	1	RFF-DTM
0090	6	<b>RFF</b>	R	1	1	Reference

		Standard	Implementation	
Tag	Name	St Format	St Format	Usage / Remark
RFF				
C506	Reference	M	R	
1153	Reference code qualifier	M an..3	R an..3	<b>ON Buyers order number</b> <b>VN Order number (vendor)</b> <b>AAK Despatch advice number</b>
1154	Reference identifier	C an..70	C an..70	
1156	Document line identifier	C an..6	N	Not used
4000	Reference version identifier	C an..35	N	Not used
1060	Revision identifier	C an..6	N	Not used

**Remark:**

**Example:**

RFF+ON:1234567'

No = Consecutive segment number  
 MaxOcc = Maximum occurrence of the segment/group  
 Counter = Counter of segment/group within the standard

St = Status  
 EDIFACT: M=Mandatory, C=Conditional  
 User specific: R=Required, O=Optional, D=Dependent,  
 A=Advised, N=Not used

**Segments**

Counter	No	Tag	St	MaxOcc	Level	Name
0080		<b>SG1</b>	O	1	1	RFF-DTM
0100	7	<b>DTM</b>	O	1	2	Date/time/period

		Standard	Implementation		
Tag	Name	St Format	St Format	Usage / Remark	
DTM					
C507	Date/time/period	M	R		
2005	Date or time or period function code qualifier	M an..3	R an..3	<b>171 Reference date/time</b>	
2380	Date or time or period text	C an..35	R N..12	Date	
2379	Date or time or period format code	C an..3	R an..3	<b>102 CCYYMMDD</b>	

**Remark:**

**Example:**

DTM+171:20070507:102'

No = Consecutive segment number  
 MaxOcc = Maximum occurrence of the segment/group  
 Counter = Counter of segment/group within the standard

St = Status  
 EDIFACT: M=Mandatory, C=Conditional  
 User specific: R=Required, O=Optional, D=Dependent,  
 A=Advised, N=Not used

**Segments**

Counter	No	Tag	St	MaxOcc	Level	Name
0110		<b>SG2</b>	R	6	1	<b>NAD-LOC-SG4</b>
0120	8	<b>NAD</b>	R	1	1	<b>Name and address</b>

Standard			Implementation	
Tag	Name	St Format	St Format	Usage / Remark
NAD				
3035	Party function code qualifier	M an..3	R an..3	<b>BY Buyer</b> <b>SE Seller</b> <b>DP Delivery party</b> <b>SF Ship from</b> <b>CN Consignee</b> <b>CA Carrier</b>
C082	Party identification details	C	R	
3039	Party identifier	M an..35	R an..35	GLN no Överenskommen id.kod för part
1131	Code list identification code	C an..17	N	Not used
3055	Code list responsible agency code	C an..3	R an..3	<b>9 EAN International</b> <b>91 Assigned by seller or seller's agent</b> <b>92 Assigned by buyer or buyer's agent</b>
C058	Name and address	C	N	
3124	Name and address description	M an..35	N	Not used
3124	Name and address description	C an..35	N	Not used
3124	Name and address description	C an..35	N	Not used
3124	Name and address description	C an..35	N	Not used
3124	Name and address description	C an..35	N	Not used
C080	Party name	C	O	
3036	Party name	M an..35	R an..35	
3036	Party name	C an..35	O an..35	
3036	Party name	C an..35	O an..35	
3036	Party name	C an..35	N	Not used
3036	Party name	C an..35	N	Not used
3045	Party name format code	C an..3	N	Not used
C059	Street	C	O	
3042	Street and number or post office box identifier	M an..35	R an..35	
3042	Street and number or post office box identifier	C an..35	O an..35	
3042	Street and number or post office box identifier	C an..35	N	Not used
3042	Street and number or post office box identifier	C an..35	N	Not used

No = Consecutive segment number  
 MaxOcc = Maximum occurrence of the segment/group  
 Counter = Counter of segment/group within the standard

St = Status  
 EDIFACT: M=Mandatory, C=Conditional  
 User specific: R=Required, O=Optional, D=Dependent,  
 A=Advised, N=Not used

**Segments**

		Standard		Implementation		
Tag	Name	St	Format	St	Format	Usage / Remark
3164	City name	C	an..35	O	an..35	
C819	Country sub-entity details	C		N		
3229	Country sub-entity name code	C	an..9	N		Not used
1131	Code list identification code	C	an..17	N		Not used
3055	Code list responsible agency code	C	an..3	N		Not used
3228	Country sub-entity name	C	an..70	N		Not used
3251	Postal identification code	C	an..17	O	an..17	
3207	Country name code	C	an..3	O	an..3	

**Remark:**

**Example:**

NAD+BY+7381030000028::9++Skoogs AB:A:A+Tallvägen 21:A+Ystad++24101+SE'

No = Consecutive segment number  
 MaxOcc = Maximum occurrence of the segment/group  
 Counter = Counter of segment/group within the standard

St = Status  
 EDIFACT: M=Mandatory, C=Conditional  
 User specific: R=Required, O=Optional, D=Dependent,  
 A=Advised, N=Not used

**Segments**

Counter	No	Tag	St	MaxOcc	Level	Name
0110		<b>SG2</b>	R	6	1	<b>NAD-LOC-SG4</b>
0130	9	<b>LOC</b>	O	1	2	<b>Place/location identification</b>

Standard			Implementation	
Tag	Name	St Format	St Format	Usage / Remark
LOC				
3227	Location function code qualifier	M an..3	R an..3	<b>7 Place of delivery</b>
C517	Location identification	C	O	
3225	Location name code	C an..35	O an..35	GLN
1131	Code list identification code	C an..17	N	Not used
3055	Code list responsible agency code	C an..3	N	Not used
3224	Location name	C an..256	O an..256	Place of delivery at free text
C519	Related location one identification	C	N	
3223	First related location name code	C an..25	N	Not used
1131	Code list identification code	C an..17	N	Not used
3055	Code list responsible agency code	C an..3	N	Not used
3222	First related location name	C an..70	N	Not used
C553	Related location two identification	C	N	
3233	Second related location name code	C an..25	N	Not used
1131	Code list identification code	C an..17	N	Not used
3055	Code list responsible agency code	C an..3	N	Not used
3232	Second related location name	C an..70	N	Not used
5479	Relation code	C an..3	N	Not used

**Remark:**

**Example:**

LOC+7+7381030000028:::Långa gatan'

No = Consecutive segment number  
 MaxOcc = Maximum occurrence of the segment/group  
 Counter = Counter of segment/group within the standard

St = Status  
 EDIFACT: M=Mandatory, C=Conditional  
 User specific: R=Required, O=Optional, D=Dependent,  
 A=Advised, N=Not used

**Segments**

Counter	No	Tag	St	MaxOcc	Level	Name
0170		<b>SG4</b>	O	1	2	<b>CTA-COM</b>
0180	10	<b>CTA</b>	R	1	2	<b>Contact information</b>

Standard			Implementation	
Tag	Name	St Format	St Format	Usage / Remark
CTA				
3139	Contact function code	C an..3	O an..3	<b>IC Information contact</b>
C056	Department or employee details	C	R	
3413	Department or employee name code	C an..17	N	Not used
3412	Department or employee name	C an..35	O an..35	

**Remark:**

**Example:**

CTA+IC+:Karl Svensson'

No = Consecutive segment number  
 MaxOcc = Maximum occurrence of the segment/group  
 Counter = Counter of segment/group within the standard

St = Status  
 EDIFACT: M=Mandatory, C=Conditional  
 User specific: R=Required, O=Optional, D=Dependent,  
 A=Advised, N=Not used

**Segments**

Counter	No	Tag	St	MaxOcc	Level	Name
0170		<b>SG4</b>	O	1	2	<b>CTA-COM</b>
0190	11	<b>COM</b>	O	1	3	<b>Communication contact</b>

Standard			Implementation	
Tag	Name	St Format	St Format	Usage / Remark
COM				
C076	Communication contact	M	M	
3148	Communication address identifier	M an..512	R an..512	Communication number
3155	Communication address code qualifier	M an..3	R an..3	<b>EM Electronic mail</b> <b>TE Telephone</b>

**Remark:**

**Example:**

COM+Karl.svensson@beast.se:EM'

No = Consecutive segment number  
 MaxOcc = Maximum occurrence of the segment/group  
 Counter = Counter of segment/group within the standard

St = Status  
 EDIFACT: M=Mandatory, C=Conditional  
 User specific: R=Required, O=Optional, D=Dependent,  
 A=Advised, N=Not used

**Segments**

Counter	No	Tag	St	MaxOcc	Level	Name
	0200	<b>SG5</b>	O	1	1	TOD-LOC
	0210	<b>TOD</b>	R	1	1	Terms of delivery or transport

Standard			Implementation	
Tag	Name	St Format	St Format	Usage / Remark
TOD				
4055	Delivery or transport terms function code	C an..3	O an..3	<b>4 Collected by customer</b> <b>6 Delivery condition</b>
4215	Transport charges payment method code	C an..3	N	Not used
C100	Terms of delivery or transport	C	R	
4053	Delivery or transport terms description code	C an..3	R an..3	<b>CFR Cost and Freight</b> <b>CIF Cost, Insurance, Freight (... named port of destination)</b> <b>CIP Carriage and Insurance Paid to (... named place of destination)</b> <b>CPT Carriage Paid To (... named place of destination)</b> <b>DDU Delivered Duty Unpaid (... named place of destination)</b> <b>EXW Ex Works (... named place)</b> <b>FCA Free Carrier (... named place)</b> <b>FOB Free On Board (... named port of shipment)</b> <b>DDP Delivered Duty Paid (... named place of destination)</b>
1131	Code list identification code	C an..17	C an..17	<b>106 Incoterms 1980</b>
3055	Code list responsible agency code	C an..3	N	Not used
4052	Delivery or transport terms description	C an..70	O an..70	Agree
4052	Delivery or transport terms description	C an..70	N	Not used

**Remark:**

**Example:**

TOD+4++CIP:106::Free text'

No = Consecutive segment number  
 MaxOcc = Maximum occurrence of the segment/group  
 Counter = Counter of segment/group within the standard

St = Status  
 EDIFACT: M=Mandatory, C=Conditional  
 User specific: R=Required, O=Optional, D=Dependent,  
 A=Advised, N=Not used



**Segments**

Counter	No	Tag	St	MaxOcc	Level	Name
0200		<b>SG5</b>	O	1	1	<b>TOD-LOC</b>
0220	13	<b>LOC</b>	O	1	2	<b>Place/location identification</b>

Standard			Implementation	
Tag	Name	St Format	St Format	Usage / Remark
LOC				
3227	Location function code qualifier	M an..3	R an..3	<b>1 Place of terms of delivery</b> <b>5 Place of departure</b> <b>7 Place of delivery</b>
C517	Location identification	C	O	
3225	Location name code	C an..35	O an..35	UN/LOCODE (default)
1131	Code list identification code	C an..17	O an..17	Value omitted: implies code is UN/LOCODE
3055	Code list responsible agency code	C an..3	O an..3	<b>6 UN/ECE (United Nations - Economic Commission for Europe)</b>
3224	Location name	C an..256	O an..256	If not available in UN/LOCODE 3225, Free text
C519	Related location one identification	C	N	
3223	First related location name code	C an..25	N	Not used
1131	Code list identification code	C an..17	N	Not used
3055	Code list responsible agency code	C an..3	N	Not used
3222	First related location name	C an..70	N	Not used
C553	Related location two identification	C	N	
3233	Second related location name code	C an..25	N	Not used
1131	Code list identification code	C an..17	N	Not used
3055	Code list responsible agency code	C an..3	N	Not used
3232	Second related location name	C an..70	N	Not used
5479	Relation code	C an..3	N	Not used

**Remark:**

**Example:**

LOC+1+7381030000028::6:X'

No = Consecutive segment number  
 MaxOcc = Maximum occurrence of the segment/group  
 Counter = Counter of segment/group within the standard

St = Status  
 EDIFACT: M=Mandatory, C=Conditional  
 User specific: R=Required, O=Optional, D=Dependent,  
 A=Advised, N=Not used

**Segments**

Counter	No	Tag	St	MaxOcc	Level	Name
0240		<b>SG6</b>	O	1	1	TDT
0250	14	<b>TDT</b>	R	1	1	Transport information

Standard			Implementation	
Tag	Name	St Format	St Format	Usage / Remark
TDT				
8051	Transport stage code qualifier	M an..3	R an..3	<b>1 Inland transport</b> <b>13 At destination</b> <b>20 Main-carriage transport</b>
8028	Means of transport journey identifier	C an..17	N	Not used
C220	Mode of transport	C	O	
8067	Transport mode name code	C an..3	O an..3	<b>10 Maritime transport</b> <b>20 Rail transport</b> <b>30 Road transport</b> <b>40 Air transport</b>
8066	Transport mode name	C an..17	O an..17	Text
C001	Transport means	C	O	
8179	Transport means description code	C an..8	O an..8	Agree
1131	Code list identification code	C an..17	N	Not used
3055	Code list responsible agency code	C an..3	N	Not used
8178	Transport means description	C an..17	O an..17	Free text
C040	Carrier	C	N	
3127	Carrier identifier	C an..17	N	Not used
1131	Code list identification code	C an..17	N	Not used
3055	Code list responsible agency code	C an..3	N	Not used
3128	Carrier name	C an..35	N	Not used
8101	Transit direction indicator code	C an..3	N	Not used
C401	Excess transportation information	C	N	
8457	Excess transportation reason code	M an..3	N	Not used
8459	Excess transportation responsibility code	M an..3	N	Not used
7130	Customer shipment authorisation identifier	C an..17	N	Not used
C222	Transport identification	C	O	
8213	Transport means identification name identifier	C an..9	N	Not used

No = Consecutive segment number  
 MaxOcc = Maximum occurrence of the segment/group  
 Counter = Counter of segment/group within the standard

St = Status  
 EDIFACT: M=Mandatory, C=Conditional  
 User specific: R=Required, O=Optional, D=Dependent,  
 A=Advised, N=Not used

## Segments

		Standard	Implementation	
Tag	Name	St Format	St Format	Usage / Remark
1131	Code list identification code	C an..17	N	Not used
3055	Code list responsible agency code	C an..3	N	Not used
8212	Transport means identification name	C an..35	O an..35	Vehicle registration number
8453	Transport means nationality code	C an..3	N	Not used
8281	Transport means ownership indicator code	C an..3	N	Not used

**Remark:****Example:**

TDT+1++30:Backlift+1:::X++++:::X'

No = Consecutive segment number  
 MaxOcc = Maximum occurrence of the segment/group  
 Counter = Counter of segment/group within the standard

St = Status  
 EDIFACT: M=Mandatory, C=Conditional  
 User specific: R=Required, O=Optional, D=Dependent,  
 A=Advised, N=Not used

**Segments**

Counter	No	Tag	St	MaxOcc	Level	Name
0310		<b>SG8</b>	O	1	1	<b>EQD</b>
0320	15	<b>EQD</b>	R	1	1	<b>Equipment details</b>

Standard			Implementation	
Tag	Name	St Format	St Format	Usage / Remark
<b>EQD</b>				
8053	Equipment type code qualifier	M an..3	R an..3	<b>AA Ground equipment ZZZ = Lossningssätt i klartext</b>
C237	Equipment identification	C	N	
8260	Equipment identifier	C an..17	N	Not used
1131	Code list identification code	C an..17	N	Not used
3055	Code list responsible agency code	C an..3	N	Not used
3207	Country name code	C an..3	N	Not used
C224	Equipment size and type	C	O	
8155	Equipment size and type description code	C an..10	N	Not used
1131	Code list identification code	C an..17	N	Not used
3055	Code list responsible agency code	C an..3	N	Not used
8154	Equipment size and type description	C an..35	O an..35	Free text
8077	Equipment supplier code	C an..3	O an..3	<b>2 Carrier supplied Z01 = Buyer Z02 = Seller Z03 = By agreement</b>
8249	Equipment status code	C an..3	N	Not used
8169	Full or empty indicator code	C an..3	N	Not used

**Remark:**

**Example:**

EQD+AA+:::Backlift+2'

No = Consecutive segment number  
 MaxOcc = Maximum occurrence of the segment/group  
 Counter = Counter of segment/group within the standard

St = Status  
 EDIFACT: M=Mandatory, C=Conditional  
 User specific: R=Required, O=Optional, D=Dependent,  
 A=Advised, N=Not used

**Segments**

Counter	No	Tag	St	MaxOcc	Level	Name
0390		<b>SG10</b>	R	999	1	<b>CPS-SG11-SG17</b>
0400	16	<b>CPS</b>	R	1	1	<b>Consignment packing sequence</b>

Standard			Implementation	
Tag	Name	St Format	St Format	Usage / Remark
CPS				
7164	Hierarchical structure level identifier	M an..35	R an..35	Recommended sequential numbering
7166	Hierarchical structure parent identifier	C an..35	O an..35	Indication of parent CPS.
7075	Packaging level code	C an..3	R an..3	sequential numbering

**Remark:**

**Example:**

CPS+1+1+1'

No = Consecutive segment number  
 MaxOcc = Maximum occurrence of the segment/group  
 Counter = Counter of segment/group within the standard

St = Status  
 EDIFACT: M=Mandatory, C=Conditional  
 User specific: R=Required, O=Optional, D=Dependent,  
 A=Advised, N=Not used

**Segments**

Counter	No	Tag	St	MaxOcc	Level	Name
0430		<b>SG11</b>	O	1	2	<b>PAC-MEA-SG12-SG13</b>
0440	17	<b>PAC</b>	R	1	2	<b>Package</b>

Standard			Implementation	
Tag	Name	St Format	St Format	Usage / Remark
PAC				
7224	Package quantity	C n..8	O n..8	Number of shipping units
C531	Packaging details	C	N	
7075	Packaging level code	C an..3	N	Not used
7233	Packaging related description code	C an..3	N	Not used
7073	Packaging terms and conditions code	C an..3	N	Not used
C202	Package type	C	O	
7065	Package type description code	C an..17	O an..17	<b>CT Carton</b> <b>PB Pallet, box</b> <b>PD Pallet, modular, collars 80cms * 100cms</b> <b>PE Pallet, modular, collars 80cms * 120cms</b> <b>PX Pallet</b> <b>RO Roll</b>
1131	Code list identification code	C an..17	N	Not used
3055	Code list responsible agency code	C an..3	N	Not used
7064	Type of packages	C an..35	O an..35	
C402	Package type identification	C	N	
7077	Description format code	M an..3	N	Not used
7064	Type of packages	M an..35	N	Not used
7143	Item type identification code	C an..3	N	Not used
7064	Type of packages	C an..35	N	Not used
7143	Item type identification code	C an..3	N	Not used
C532	Returnable package details	C	N	
8395	Returnable package freight payment responsibility code	C an..3	N	Not used
8393	Returnable package load contents code	C an..3	N	Not used

**Remark:**

**Example:**

PAC+9++CT:::X'

No = Consecutive segment number  
 MaxOcc = Maximum occurrence of the segment/group  
 Counter = Counter of segment/group within the standard

St = Status  
 EDIFACT: M=Mandatory, C=Conditional  
 User specific: R=Required, O=Optional, D=Dependent,  
 A=Advised, N=Not used

**Segments**

Counter	No	Tag	St	MaxOcc	Level	Name
0430		<b>SG11</b>	O	1	2	PAC-MEA-SG12-SG13
0450	18	<b>MEA</b>	O	5	3	Measurements

Standard			Implementation	
Tag	Name	St Format	St Format	Usage / Remark
<b>MEA</b>				
6311	Measurement purpose code qualifier	M an..3	O an..3	<b>PD Physical dimensions (product ordered)</b>
C502	Measurement details	C	O	
6313	Measured attribute code	C an..3	O an..3	<b>AAA Unit net weight</b> <b>AAB Unit gross weight</b> <b>AAC Total net weight</b> <b>AAD Total gross weight</b> <b>AAF Net net weight</b> <b>ABJ Volume</b> <b>HT Height dimension</b> <b>LN Length dimension</b> <b>WD Width dimension</b> <b>DP Depth</b> <b>WT Weight</b> <b>ZFK = Volym per lagerenhet</b> <b>ZFV = Vikt per basprisenhet</b>
6321	Measurement significance code	C an..3	N	Not used
6155	Non-discrete measurement name code	C an..17	N	Not used
6154	Non-discrete measurement name	C an..70	N	Not used
C174	Value/range	C	C	
6411	Measurement unit code	M an..8	R an..8	UN/ECE Recommendation# 20* <b>KGM kilogram</b> <b>MTK square metre</b> <b>MTQ cubic metre</b> <b>LTR litre</b> <b>LN length</b>
6314	Measure	C an..18	O an..18	Weight or volume
6162	Range minimum quantity	C n..18	N	Not used
6152	Range maximum quantity	C n..18	N	Not used
6432	Significant digits quantity	C n..2	N	Not used
7383	Surface or layer code	C an..3	N	Not used

**Remark:**

**Example:**

MEA+PD+AAA+KGM: 25 '

No = Consecutive segment number  
 MaxOcc = Maximum occurrence of the segment/group  
 Counter = Counter of segment/group within the standard

St = Status  
 EDIFACT: M=Mandatory, C=Conditional  
 User specific: R=Required, O=Optional, D=Dependent,  
 A=Advised, N=Not used

**Segments**

Counter	No	Tag	St	MaxOcc	Level	Name
0470		<b>SG12</b>	O	1	3	<b>HAN--FTX</b>
Under construction will be clear in next version.						
0480	19	<b>HAN</b>	R	1	3	<b>Handling instructions</b>

		Standard	Implementation	
Tag	Name	St Format	St Format	Usage / Remark
HAN				
C524	Handling instructions	C	C	
4079	Handling instruction description code	C an..3	C an..3	
1131	Code list identification code	C an..17	C an..17	
3055	Code list responsible agency code	C an..3	C an..3	
4078	Handling instruction description	C an..70	C an..70	
C218	Hazardous material	C	C	
7419	Hazardous material category name code	C an..7	C an..7	
1131	Code list identification code	C an..17	C an..17	
3055	Code list responsible agency code	C an..3	C an..3	
7418	Hazardous material category name	C an..35	C an..35	

**Remark:**

Under construction will be clear in next version.

**Example:**

HAN+1:::X+X:::X'

No = Consecutive segment number  
 MaxOcc = Maximum occurrence of the segment/group  
 Counter = Counter of segment/group within the standard

St = Status  
 EDIFACT: M=Mandatory, C=Conditional  
 User specific: R=Required, O=Optional, D=Dependent,  
 A=Advised, N=Not used



**Segments**

Counter	No	Tag	St	MaxOcc	Level	Name
0470		<b>SG12</b>	O	1	3	<b>HAN--FTX</b>
Under construction will be clear in next version.						
0490	20	<b>FTX</b>	O	1	4	<b>Free text</b>

		Standard	Implementation	
Tag	Name	St Format	St Format	Usage / Remark
FTX				
4451	Text subject code qualifier	M an..3	M an..3	
4453	Free text function code	C an..3	C an..3	
C107	Text reference	C	C	
4441	Free text description code	M an..17	M an..17	
1131	Code list identification code	C an..17	N	Not used
3055	Code list responsible agency code	C an..3	N	Not used
C108	Text literal	C	C	
4440	Free text	M an..512	M an..512	
4440	Free text	C an..512	C an..512	
4440	Free text	C an..512	C an..512	
4440	Free text	C an..512	C an..512	
4440	Free text	C an..512	C an..512	
3453	Language name code	C an..3	C an..3	
4447	Free text format code	C an..3	C an..3	

**Remark:**  
Under construction will be clear in next version.

**Example:**  
FTX+AAA+1+X+X:X:X:X:X+aa+1'

No = Consecutive segment number  
MaxOcc = Maximum occurrence of the segment/group  
Counter = Counter of segment/group within the standard

St = Status  
EDIFACT: M=Mandatory, C=Conditional  
User specific: R=Required, O=Optional, D=Dependent,  
A=Advised, N=Not used

**Segments**

Counter	No	Tag	St	MaxOcc	Level	Name
0500		<b>SG13</b>	O	5	3	<b>PCI-SG15</b>
0510	21	<b>PCI</b>	R	1	3	<b>Package identification</b>

Standard			Implementation	
Tag	Name	St Format	St Format	Usage / Remark
PCI				
4233	Marking instructions code	C an..3	R an..3	<b>16 Buyer's instructions</b> <b>17 Seller's instructions</b> <b>33E =Marked with an SSCC (EAN code)</b>
C210	Marks & labels	C	O	
7102	Shipping marks description	M an..35	R an..35	Marked information
7102	Shipping marks description	C an..35	O an..35	See 7102 #1
7102	Shipping marks description	C an..35	O an..35	See 7102 #1
7102	Shipping marks description	C an..35	O an..35	See 7102 #1
7102	Shipping marks description	C an..35	O an..35	See 7102 #1
7102	Shipping marks description	C an..35	N	Not used
7102	Shipping marks description	C an..35	N	Not used
7102	Shipping marks description	C an..35	N	Not used
7102	Shipping marks description	C an..35	N	Not used
7102	Shipping marks description	C an..35	N	Not used
8275	Container or package contents indicator code	C an..3	N	Not used
C827	Type of marking	C	N	
7511	Marking type code	M an..3	N	Not used
1131	Code list identification code	C an..17	N	Not used
3055	Code list responsible agency code	C an..3	N	Not used

**Remark:**

**Example:**

PCI+16+X:X:X:X'

No = Consecutive segment number  
 MaxOcc = Maximum occurrence of the segment/group  
 Counter = Counter of segment/group within the standard

St = Status  
 EDIFACT: M=Mandatory, C=Conditional  
 User specific: R=Required, O=Optional, D=Dependent,  
 A=Advised, N=Not used

**Segments**

Counter	No	Tag	St	MaxOcc	Level	Name
0570		<b>SG15</b>	O	5	4	<b>GIN</b>
0580	22	<b>GIN</b>	R	1	4	<b>Goods identity number</b>

Standard			Implementation	
Tag	Name	St Format	St Format	Usage / Remark
GIN				
7405	Object identification code qualifier	M an..3	R an..3	<b>BN Serial number</b> <b>BX Batch number</b> <b>BJ = SSCC (EAN code)</b> <b>EU = EAN/UPC number</b>
C208	Identity number range	M	R	
7402	Object identifier	M an..35	R an..35	SSCC or EAN Code or batch number
7402	Object identifier	C an..35	O an..35	SSCC or EAN Code or batch number
C208	Identity number range	C	O	
7402	Object identifier	M an..35	R an..35	SSCC or EAN Code or batch number
7402	Object identifier	C an..35	O an..35	SSCC or EAN Code or batch number
C208	Identity number range	C	O	
7402	Object identifier	M an..35	R an..35	SSCC or EAN Code or batch number
7402	Object identifier	C an..35	O an..35	SSCC or EAN Code or batch number
C208	Identity number range	C	O	
7402	Object identifier	M an..35	R an..35	SSCC or EAN Code or batch number
7402	Object identifier	C an..35	O an..35	SSCC or EAN Code or batch number
C208	Identity number range	C	O	
7402	Object identifier	M an..35	R an..35	SSCC or EAN Code or batch number
7402	Object identifier	C an..35	O an..35	SSCC or EAN Code or batch number

**Remark:**

**Example:**

GIN+BN+X:X+X:X+X:X+X:X+X:X'

No = Consecutive segment number  
 MaxOcc = Maximum occurrence of the segment/group  
 Counter = Counter of segment/group within the standard

St = Status  
 EDIFACT: M=Mandatory, C=Conditional  
 User specific: R=Required, O=Optional, D=Dependent,  
 A=Advised, N=Not used

**Segments**

Counter	No	Tag	St	MaxOcc	Level	Name
0650		<b>SG17</b>	R	9999	2	LIN-PIA-IMD-MEA-QTY-DTM-SG18-SG20
0660	23	<b>LIN</b>	R	1	2	Line item

Standard			Implementation	
Tag	Name	St Format	St Format	Usage / Remark
LIN				
1082	Line item identifier	C an..6	R an..6	Line sequence number generated automatically by the IT system
1229	Action request/notification description code	C an..3	N	Not used
C212	Item number identification	C	R	
7140	Item identifier	C an..35	R an..35	GTIN
7143	Item type identification code	C an..3	R an..3	<b>EN International Article Numbering Association (EAN)</b>
1131	Code list identification code	C an..17	N	Not used
3055	Code list responsible agency code	C an..3	N	Not used
C829	Sub-line information	C	N	
5495	Sub-line indicator code	C an..3	N	Not used
1082	Line item identifier	C an..6	N	Not used
1222	Configuration level number	C n..2	N	Not used
7083	Configuration operation code	C an..3	N	Not used

**Remark:**

**Example:**

LIN+1+++7310865000156:EN'

No = Consecutive segment number  
 MaxOcc = Maximum occurrence of the segment/group  
 Counter = Counter of segment/group within the standard

St = Status  
 EDIFACT: M=Mandatory, C=Conditional  
 User specific: R=Required, O=Optional, D=Dependent,  
 A=Advised, N=Not used

**Segments**

Counter	No	Tag	St	MaxOcc	Level	Name
0650		<b>SG17</b>	R	9999	2	LIN-PIA-IMD-MEA-QTY-DTM-SG18-SG20
0670	24	<b>PIA</b>	O	1	3	Additional product id

Standard			Implementation	
Tag	Name	St Format	St Format	Usage / Remark
PIA				
4347	Product identifier code qualifier	M an..3	R an..3	<b>1 Additional identification</b>
C212	Item number identification	M	R	
7140	Item identifier	C an..35	R an..35	
7143	Item type identification code	C an..3	O an..3	<b>BP Buyer's part number</b> <b>SA Supplier's article number</b> <b>SRS RSK number</b> <b>SG Standard group of products (mixed assortment)</b> <b>SN Serial number</b> <b>MF Manufacturer's (producer's) article number</b> <b>DW Drawing</b> <b>MP Product/service identification number</b> Code MP uses for TUN Number in Denmark <b>NO1 Nobb nr</b> <b>NRF Norske Rørgrossisters artikelnummer</b> <b>EFO Norske elektrobranchens artikelnr</b> <b>ZBF Finfo nr/ Vilma</b> <b>ZES E-nummer Svenska elgrossistföreningen</b> <b>EB Enbart bearbetning</b> <b>ZMV Katalognr för modul/variant</b> <b>GU Säljarens grupperande kod</b> <b>ZZ Individnr vid t.ex.datorköp</b>
1131	Code list identification code	C an..17	N	Not used
3055	Code list responsible agency code	C an..3	N	Not used
C212	Item number identification	C	O	See group C212 #1
7140	Item identifier	C an..35	C an..35	
7143	Item type identification code	C an..3	C an..3	
1131	Code list identification code	C an..17	N	Not used
3055	Code list responsible agency code	C an..3	N	Not used
C212	Item number identification	C	O	See group C212 #1
7140	Item identifier	C an..35	C an..35	
7143	Item type identification code	C an..3	C an..3	
1131	Code list identification code	C an..17	N	Not used
3055	Code list responsible agency code	C an..3	N	Not used
				See group C212 #1

No = Consecutive segment number  
 MaxOcc = Maximum occurrence of the segment/group  
 Counter = Counter of segment/group within the standard

St = Status  
 EDIFACT: M=Mandatory, C=Conditional  
 User specific: R=Required, O=Optional, D=Dependent,  
 A=Advised, N=Not used

**Segments**

		Standard	Implementation	
Tag	Name	St Format	St Format	Usage / Remark
C212	Item number identification	C	O	
7140	Item identifier	C an..35	C an..35	
7143	Item type identification code	C an..3	C an..3	
1131	Code list identification code	C an..17	N	Not used
3055	Code list responsible agency code	C an..3	N	Not used
C212	Item number identification	C	O	See group C212 #1
7140	Item identifier	C an..35	C an..35	
7143	Item type identification code	C an..3	C an..3	
1131	Code list identification code	C an..17	N	Not used
3055	Code list responsible agency code	C an..3	N	Not used

**Remark:**

**Example:**

PIA+1+X:BP+X:AA+X:AA+X:AA+X:AA'

No = Consecutive segment number  
 MaxOcc = Maximum occurrence of the segment/group  
 Counter = Counter of segment/group within the standard

St = Status  
 EDIFACT: M=Mandatory, C=Conditional  
 User specific: R=Required, O=Optional, D=Dependent,  
 A=Advised, N=Not used

**Segments**

Counter	No	Tag	St	MaxOcc	Level	Name
0650		<b>SG17</b>	R	9999	2	LIN-PIA-IMD-MEA-QTY-DTM-SG18-SG20
0680	25	<b>IMD</b>	O	1	3	Description of article or service

Standard			Implementation	
Tag	Name	St Format	St Format	Usage / Remark
IMD				
7077	Description format code	C an..3	R an..3	<b>F Free-form</b> <b>E Free-form short description</b>
C272	Item characteristic	C	O	
7081	Item characteristic code	C an..3	O an..3	<b>195 Key-word</b> <b>ZAR Article</b> <b>ZGR Produkt- varugrupp</b> <b>ZIT Vara</b>
1131	Code list identification code	C an..17	N	Not used
3055	Code list responsible agency code	C an..3	N	Not used
C273	Item description	C	R	
7009	Item description code	C an..17	N	Not used
1131	Code list identification code	C an..17	N	Not used
3055	Code list responsible agency code	C an..3	N	Not used
7008	Item description	C an..256	O an..256	Description or keyword
7008	Item description	C an..256	O an..256	see 7008 # 1
3453	Language name code	C an..3	O an..3	
7383	Surface or layer code	C an..3	N	Not used

**Remark:**

**Example:**

IMD+F+++::Huggmejsel 95:28 mm:aa'

No = Consecutive segment number  
 MaxOcc = Maximum occurrence of the segment/group  
 Counter = Counter of segment/group within the standard

St = Status  
 EDIFACT: M=Mandatory, C=Conditional  
 User specific: R=Required, O=Optional, D=Dependent,  
 A=Advised, N=Not used

**Segments**

Counter	No	Tag	St	MaxOcc	Level	Name
0650		<b>SG17</b>	R	9999	2	LIN-PIA-IMD-MEA-QTY-DTM-SG18-SG20
0690	26	<b>MEA</b>	O	1	3	Measurements

Standard			Implementation	
Tag	Name	St Format	St Format	Usage / Remark
MEA				
6311	Measurement purpose code qualifier	M an..3	R an..3	<b>PD Physical dimensions (product ordered)</b>
C502	Measurement details	C	R	
6313	Measured attribute code	C an..3	R an..3	<b>AAL Net weight</b> Nordic Building <b>AAA Unit net weight</b> <b>AAB Unit gross weight</b> <b>AAD Total gross weight</b> <b>AAF Net net weight</b> <b>ABJ Volume</b> <b>DI Diameter</b> <b>DP Depth</b> <b>HT Height dimension</b> <b>LN Length dimension</b> <b>TH Thickness</b> <b>WD Width dimension</b> <b>WT Weight</b> <b>G1 Kapvinkel 1</b> <b>G2 Kapvinkel 2</b> <b>ZFK Volym per lagerenhet</b> <b>ZFV Vikt per basprisenhet</b> <b>X Kap A-R</b>
6321	Measurement significance code	C an..3	O an..3	<b>3 Approximately</b> <b>4 Equal to</b>
6155	Non-discrete measurement name code	C an..17	N	Not used
6154	Non-discrete measurement name	C an..70	N	Not used
C174	Value/range	C	D	
6411	Measurement unit code	M an..8	R an..8	Typically the measure unit used in other MEA segment concerning the weight shall be the same as the unit given here. <b>KGM kilogram</b> UN/ECE recommendation #20 <b>CMT centimetre</b> <b>MMT millimetre</b> <b>MTR metre</b> <b>DGR Grader</b>
6314	Measure	C an..18	R n..18	Value
6162	Range minimum quantity	C n..18	D n..18	Anv. ändast i samband med kaptyp om längd avviker från standard

No = Consecutive segment number  
 MaxOcc = Maximum occurrence of the segment/group  
 Counter = Counter of segment/group within the standard

St = Status  
 EDIFACT: M=Mandatory, C=Conditional  
 User specific: R=Required, O=Optional, D=Dependent,  
 A=Advised, N=Not used



## Segments

		Standard	Implementation	
Tag	Name	St Format	St Format	Usage / Remark
6152	Range maximum quantity	C n..18	D n..18	Anv. ändast i samband med kaptyp om längd avviker från standard
6432	Significant digits quantity	C n..2	N	Not used
7383	Surface or layer code	C an..3	N	Not used

**Remark:**

All article weights should be specified in the same measure unit. Each weight is transmitted in a specific occurrence of the MEA segment where data element 6411 is mandatory in composite C174. This data element should inherit the value of the measure unit common to all article weights.

Use when available

**Example:**

MEA+PD+AAL:3+KGM:100:11:9'

No = Consecutive segment number  
 MaxOcc = Maximum occurrence of the segment/group  
 Counter = Counter of segment/group within the standard

St = Status  
 EDIFACT: M=Mandatory, C=Conditional  
 User specific: R=Required, O=Optional, D=Dependent,  
 A=Advised, N=Not used

**Segments**

Counter	No	Tag	St	MaxOcc	Level	Name
0650		<b>SG17</b>	R	9999	2	LIN-PIA-IMD-MEA-QTY-DTM-SG18-SG20
0700	27	<b>QTY</b>	R	1	3	Quantity

Standard			Implementation	
Tag	Name	St Format	St Format	Usage / Remark
QTY				
C186	Quantity details	M	R	
6063	Quantity type code qualifier	M an..3	R an..3	<b>12 Despatch quantity</b> <b>143 Quantity, remaining</b> <b>182 Cancelled quantity</b>
6060	Quantity	M an..35	R an..35	Quantity
6411	Measurement unit code	C an..8	R an..8	UN/ECE recommendation # 20 <b>KGM kilogram</b>

**Remark:**

**Example:**

QTY+12:10:KGM'

No = Consecutive segment number  
 MaxOcc = Maximum occurrence of the segment/group  
 Counter = Counter of segment/group within the standard

St = Status  
 EDIFACT: M=Mandatory, C=Conditional  
 User specific: R=Required, O=Optional, D=Dependent,  
 A=Advised, N=Not used

**Segments**

Counter	No	Tag	St	MaxOcc	Level	Name
0650		<b>SG17</b>	R	9999	2	LIN-PIA-IMD-MEA-QTY-DTM-SG18-SG20
0750	28	<b>DTM</b>	O	2	3	Date/time/period

Standard			Implementation	
Tag	Name	St Format	St Format	Usage / Remark
DTM				
C507	Date/time/period	M	R	
2005	Date or time or period function code qualifier	M an..3	R an..3	<b>94 Production/manufacture date</b> <b>361 Best before date</b>
2380	Date or time or period text	C an..35	R an..35	Date
2379	Date or time or period format code	C an..3	R an..3	<b>102 CCYYMMDD</b>

**Remark:**

**Example:**

DTM+94:X:102'

No = Consecutive segment number  
 MaxOcc = Maximum occurrence of the segment/group  
 Counter = Counter of segment/group within the standard

St = Status  
 EDIFACT: M=Mandatory, C=Conditional  
 User specific: R=Required, O=Optional, D=Dependent,  
 A=Advised, N=Not used

**Segments**

Counter	No	Tag	St	MaxOcc	Level	Name
0830		<b>SG18</b>	R	3	3	<b>RFF-DTM</b>
0840	29	<b>RFF</b>	R	1	3	<b>Reference</b>

Standard			Implementation	
Tag	Name	St Format	St Format	Usage / Remark
RFF				
C506	Reference	M	R	
1153	Reference code qualifier	M an..3	R an..3	<b>ON Buyers order number</b> <b>CR Customer reference number</b> <b>VN Order number (vendor)</b>
1154	Reference identifier	C an..70	R an..70	Referens
1156	Document line identifier	C an..6	O an..6	Line number
4000	Reference version identifier	C an..35	N	Not used
1060	Revision identifier	C an..6	N	Not used

**Remark:**

**Example:**

RFF+ON:471156:001'

No = Consecutive segment number  
 MaxOcc = Maximum occurrence of the segment/group  
 Counter = Counter of segment/group within the standard

St = Status  
 EDIFACT: M=Mandatory, C=Conditional  
 User specific: R=Required, O=Optional, D=Dependent,  
 A=Advised, N=Not used

**Segments**

Counter	No	Tag	St	MaxOcc	Level	Name
0830		<b>SG18</b>	R	3	3	RFF-DTM
0870	30	<b>DTM</b>	O	1	4	Date/time/period

Standard			Implementation	
Tag	Name	St Format	St Format	Usage / Remark
DTM				
C507	Date/time/period	M	R	
2005	Date or time or period function code qualifier	M an..3	R an..3	<b>171 Reference date/time</b>
2380	Date or time or period text	C an..35	R an..35	Referens date
2379	Date or time or period format code	C an..3	R an..3	<b>102 CCYYMMDD</b>

**Remark:**

**Example:**

DTM+171:20070531:102'

No = Consecutive segment number  
 MaxOcc = Maximum occurrence of the segment/group  
 Counter = Counter of segment/group within the standard

St = Status  
 EDIFACT: M=Mandatory, C=Conditional  
 User specific: R=Required, O=Optional, D=Dependent,  
 A=Advised, N=Not used

**Segments**

Counter	No	Tag	St	MaxOcc	Level	Name
0920		<b>SG20</b>	O	1	3	Ultimated delivery place
0930	31	<b>LOC</b>	O	1	3	Place/location identification

Standard			Implementation	
Tag	Name	St Format	St Format	Usage / Remark
LOC				
3227	Location function code qualifier	M an..3	R an..3	<b>7 Place of delivery</b>
C517	Location identification	C	O	
3225	Location name code	C an..35	O an..35	GLN
1131	Code list identification code	C an..17	N	Not used
3055	Code list responsible agency code	C an..3	N	Not used
3224	Location name	C an..256	O an..256	Place of delivery at free text
C519	Related location one identification	C	N	
3223	First related location name code	C an..25	N	Not used
1131	Code list identification code	C an..17	N	Not used
3055	Code list responsible agency code	C an..3	N	Not used
3222	First related location name	C an..70	N	Not used
C553	Related location two identification	C	N	
3233	Second related location name code	C an..25	N	Not used
1131	Code list identification code	C an..17	N	Not used
3055	Code list responsible agency code	C an..3	N	Not used
3232	Second related location name	C an..70	N	Not used
5479	Relation code	C an..3	N	Not used

**Remark:**

**Example:**

LOC+7+7381030000028:::Långa gatan'

No = Consecutive segment number  
 MaxOcc = Maximum occurrence of the segment/group  
 Counter = Counter of segment/group within the standard

St = Status  
 EDIFACT: M=Mandatory, C=Conditional  
 User specific: R=Required, O=Optional, D=Dependent,  
 A=Advised, N=Not used

**Segments**

Counter	No	Tag	St	MaxOcc	Level	Name
1150	32	<b>CNT</b>	O	2	1	Control total

Standard			Implementation	
Tag	Name	St Format	St Format	Usage / Remark
CNT				
C270	Control	M	R	
6069	Control total type code qualifier	M an..3	R an..3	<b>1 Total of line item quantities</b> <b>2 Number of line items in message</b>
6066	Control total quantity	M n..18	R n..18	Quantity
6411	Measurement unit code	C an..8	O an..8	UN/ECE Recommendation # 20

**Remark:**

**Example:**

CNT+1:9:04'

No = Consecutive segment number  
 MaxOcc = Maximum occurrence of the segment/group  
 Counter = Counter of segment/group within the standard

St = Status  
 EDIFACT: M=Mandatory, C=Conditional  
 User specific: R=Required, O=Optional, D=Dependent,  
 A=Advised, N=Not used

**Segments**

Counter	No	Tag	St	MaxOcc	Level	Name
1160	33	<b>UNT</b>	R	1	0	Message trailer

Standard			Implementation	
Tag	Name	St Format	St Format	Usage / Remark
UNT				
0074	Number of segments in a message	M n..10	R n..10	
0062	Message reference number	M an..14	R an..14	

**Remark:**

**Example:**

UNT+57+1'

No = Consecutive segment number  
 MaxOcc = Maximum occurrence of the segment/group  
 Counter = Counter of segment/group within the standard

St = Status  
 EDIFACT: M=Mandatory, C=Conditional  
 User specific: R=Required, O=Optional, D=Dependent,  
 A=Advised, N=Not used



**Segments**

Counter	No	Tag	St	MaxOcc	Level	Name
0000	34	<b>UNZ</b>	R	1	0	Interchange trailer

Standard			Implementation	
Tag	Name	St Format	St Format	Usage / Remark
UNZ				
0036	Interchange control count	M n..6	R n..6	
0020	Interchange control reference	M an..14	R an..14	

**Remark:**

**Example:**

UNZ+1+1234'

No = Consecutive segment number  
 MaxOcc = Maximum occurrence of the segment/group  
 Counter = Counter of segment/group within the standard

St = Status  
 EDIFACT: M=Mandatory, C=Conditional  
 User specific: R=Required, O=Optional, D=Dependent,  
 A=Advised, N=Not used