

CARBON STEEL GATE VALVE FLANGED PN16 TRIM8 LONG PATTERN DIN3202-1 F5

Carbon steel gate valve TRIM8 flanged PN16 full bore for water distribution, gas oil, steam, petrochemical, petroleum industry and gas.

Rising non rotating stem with flexible one piece wedge.

Graphite packing and gasket bonnet in stainless steel+graphite.

Compatible with explosive atmosphere, ATEX Zone 1&21 and Zone 2&22.



PED 2014/68/UE



Size : DN50 to DN400
Connection : Flanges RF PN16
Min Temperature : -29°C
Max Temperature : +425°C
Max Pressure : 16 Bars
Specifications : Rising non rotating stem
Bolted bonnet and packing
Full bore

Materials : Carbon steel ASTM A216 WCB

CARBON STEEL GATE VALVE FLANGED PN16 TRIM8 LONG PATTERN DIN3202-1 F5

SPECIFICATIONS :

- Full bore
- Rising, non-rotating stem
- Fixed non rising handwheel
- Flexible one piece wedge
- Flanges R.F. PN16
- Carbon steel body
- Bolted bonnet and gland pack
- ½ stellite (Trim 8 , seat with stellite)
- Acrylic grey painting RAL 7001 color, 60 µm thickness

USE :

- Water distribution, gas oil, steam, petrochemical, petroleum industry, gas
- Min and max Temperature Ts : - 29°C to + 425°C
- Max Pressure Ps : 16 bars
- **Do not use with scraper**
- **Tighten the gland packing in service**

FLOW COEFFICIENT Kvs :

DN (mm)	50	65	80	100	125	150	200	250	300	350	400
Kvs	265	423	614	1124	1807	2690	4940	7720	11540	14070	18650

TORQUE VALUE (in Nm without safety coefficient) :

DN	50	65	80	100	125	150	200	250	300	350	400
Torque (Nm)	35	75	90	106	137	160	255	375	510	710	1018

NUMBER OF CYCLES TO CLOSE OR OPEN THE VALVE :

DN	50	65	80	100	125	150	200	250	300	350	400
Number of cycles	15	19	19	22	26	33	42	46	52	59	50

CARBON STEEL GATE VALVE FLANGED PN16 TRIM8 LONG PATTERN DIN3202-1 F5

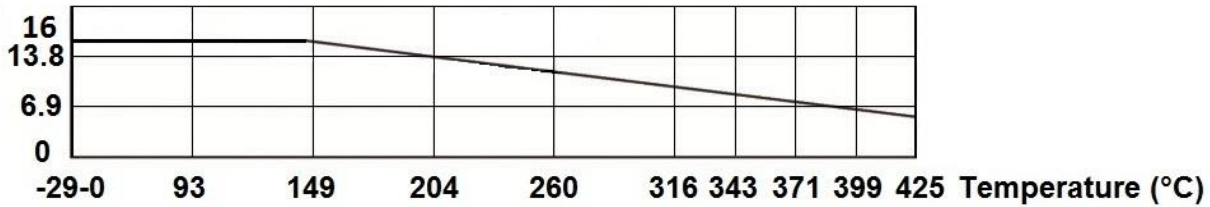
PRESSURE / TEMPERATURE RELATION :

(According to AMSE B16-34 for A216 WCB)

Pressure (Bar)	16	16	16	15.8	13.8	11.7	9.6	8.6	7.6	6.5	5.5
Temperature (°C)	-29	38	93	149	204	260	316	343	371	399	425

PRESSURE / TEMPERATURE GRAPH :

Pressure
(Bar)

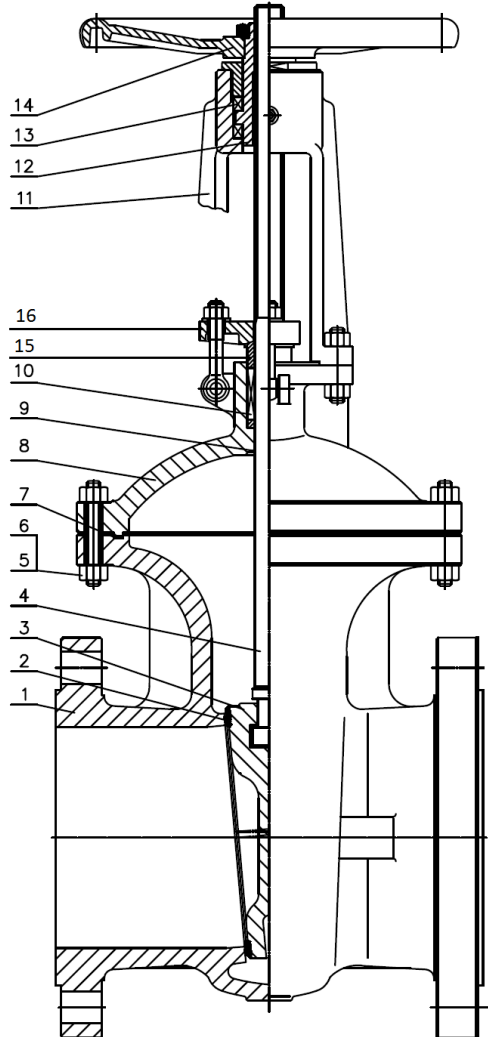


RANGE :

- Carbon steel gate valve with flanges R.F. PN16 Ref. 147 From DN 50 to DN 350
- Carbon steel gate valve with flanges R.F. PN16 with gearbox Ref. 147 DN 400

CARBON STEEL GATE VALVE FLANGED PN16 TRIM8 LONG PATTERN DIN3202-1 F5

MATERIALS DN50-350 :

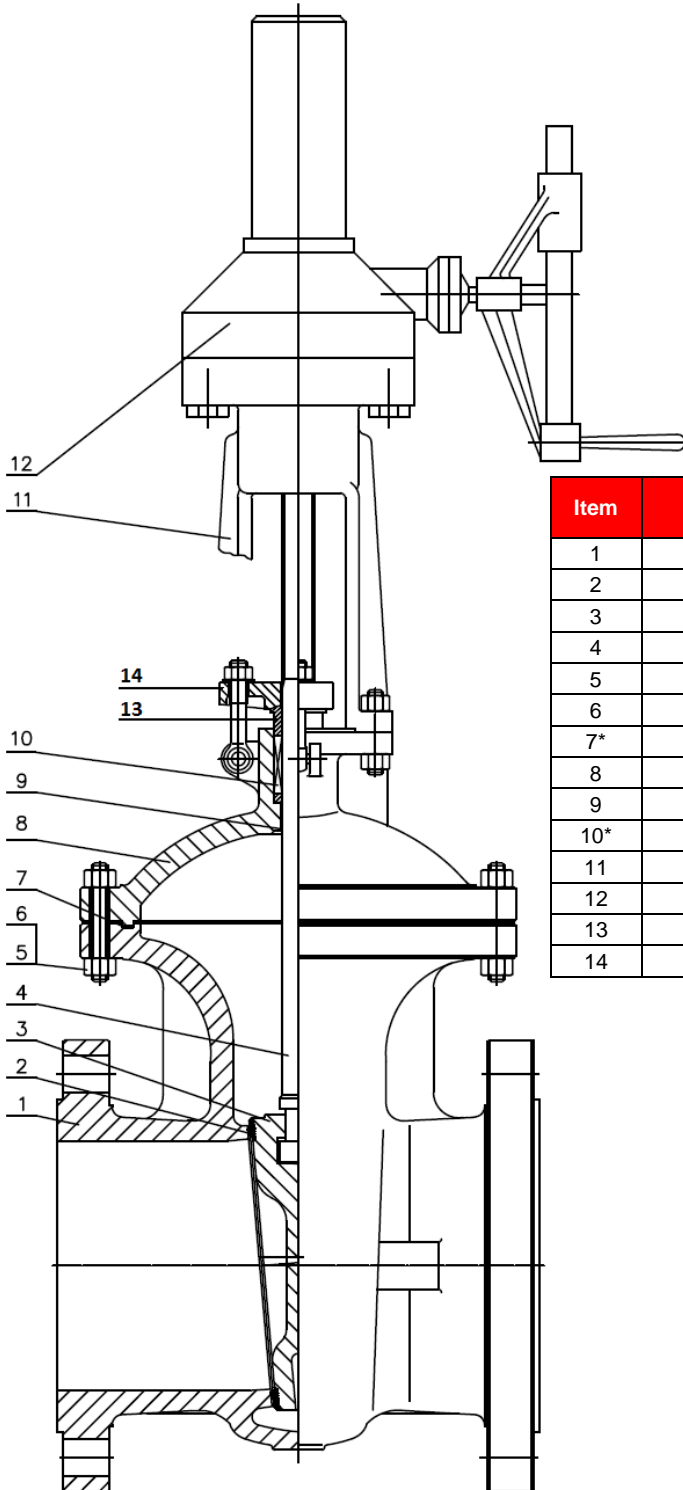


(* : included in gaskets kit)

Item	Designation	Materials
1	Body	ASTM A216 WCB
2	Seat	ASTM A105 + Stellite Gr.6
3	Wedge	ASTM A216 WCB + 13Cr
4	Stem	ASTM A182 F6a
5	Stud bolt	ASTM A193 Gr B7
6	Nut	ASTM A194 Gr 2H
7*	Bonnet gasket	AISI 304 + graphite
8	Bonnet	ASTM A216 WCB
9	Back seat bushing	Deposited 13Cr
10*	Packing	Flexible graphite
11	Yoke	ASTM A216 WCB
12	Stem nut	Aluminium + Bronze
13	Ring	E51100
14	Handwheel	Cast iron
15	Packing gland	ASTM A276-420
16	Gland flange	ASTM A216 WCB

CARBON STEEL GATE VALVE FLANGED PN16 TRIM8 LONG PATTERN DIN3202-1 F5

MATERIALS DN400 :

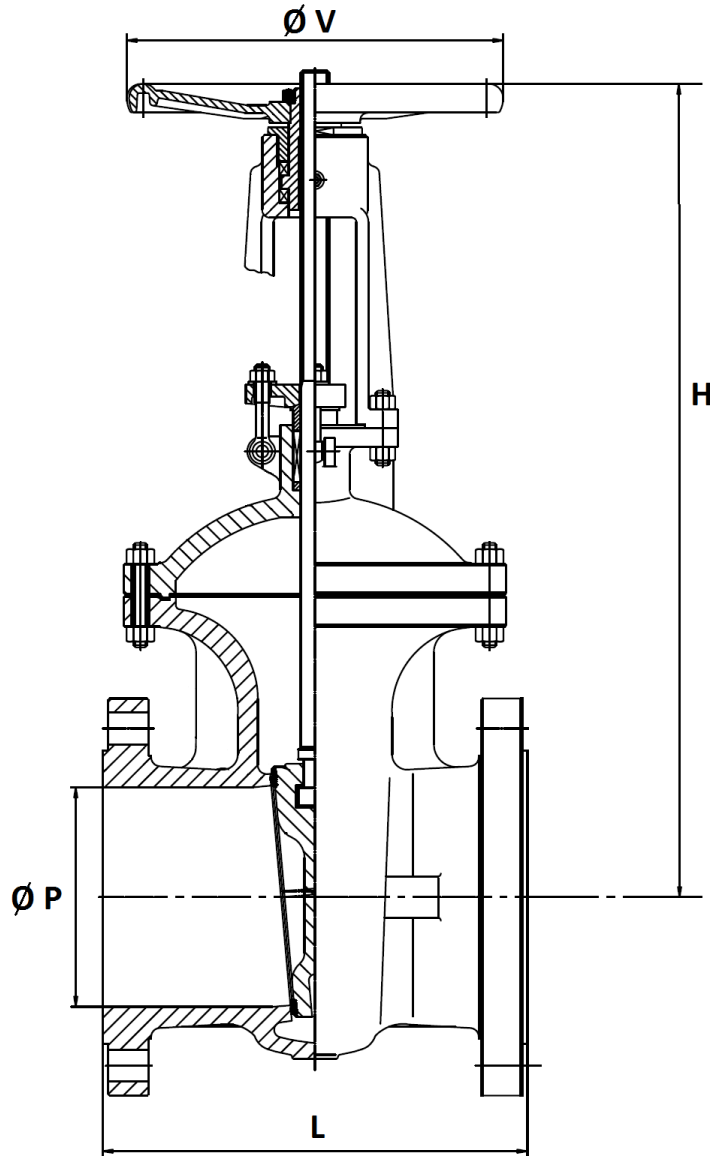


Item	Designation	Materials
1	Body	ASTM A216 WCB
2	Seat	ASTM A105 + Stellite Gr.6
3	Wedge	ASTM A216 WCB + 13Cr
4	Stem	ASTM A182 F6a
5	Stud Bolt	ASTM A193 Gr B7
6	Nut	ASTM A194 Gr 2H
7*	Bonnet gasket	AISI 304 + graphite
8	Bonnet	ASTM A216 WCB
9	Back seat bushing	ASTM A276-420
10*	Packing	Flexible graphite
11	Yoke	ASTM A216 WCB
12	Gearbox	Cast iron
13	Packing gland	ASTM A276-420
14	Gland flange	ASTM A216 WCB

(* : included in gaskets kit)

CARBON STEEL GATE VALVE FLANGED PN16 TRIM8 LONG PATTERN DIN3202-1 F5

SIZE DN 50-350 (in mm) :

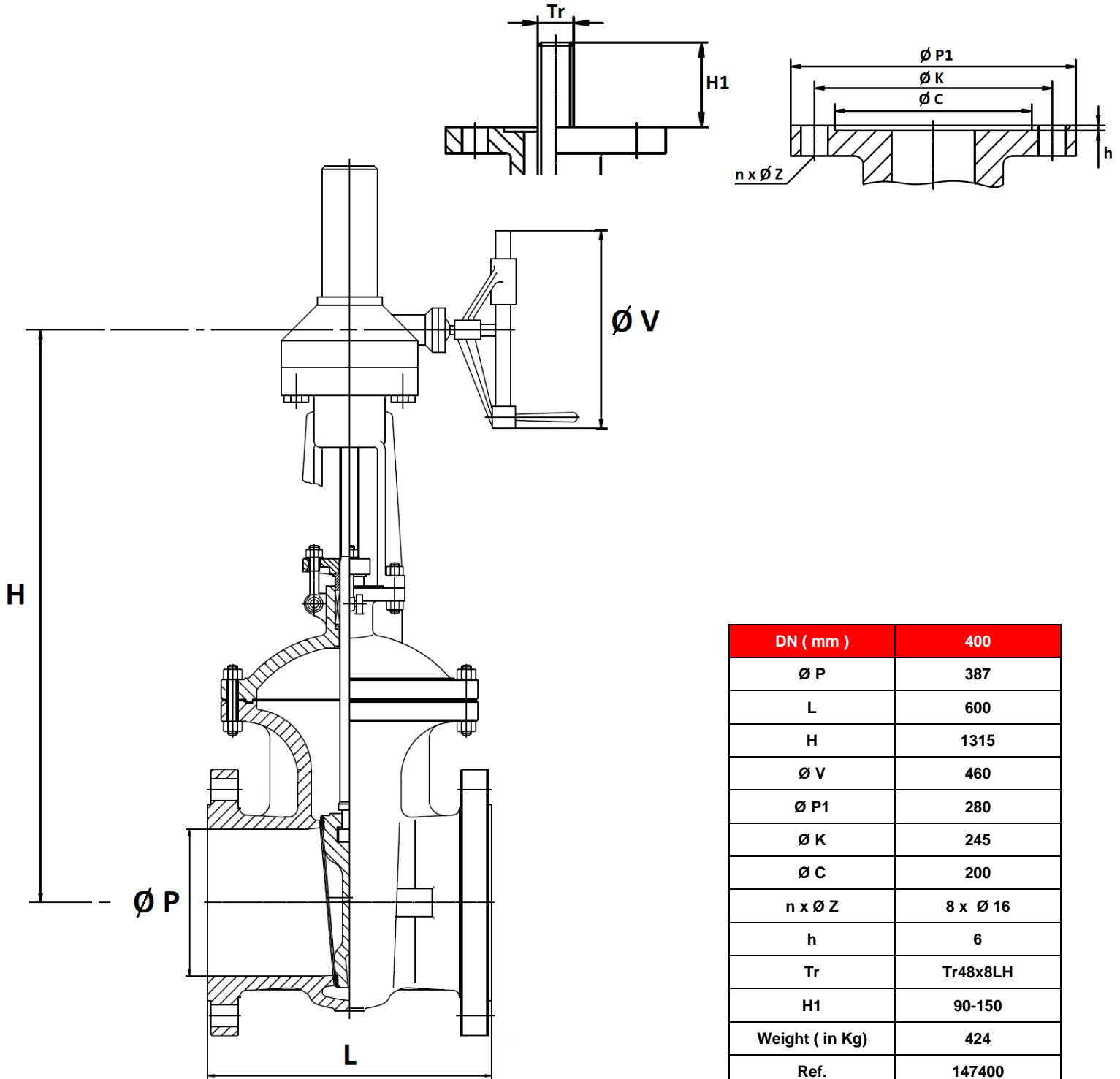


DN (mm)	50	65	80	100	125	150	200	250	300	350
Ø P	50	63	76	100	125	150	200	250	300	336
L	250	270	280	300	325	350	400	450	500	550
H (opened)	390	460	515	590	675	780	960	1190	1352	1570
H (closed)	330	370	430	505	545	610	750	900	1040	1215
Ø V	240	240	280	300	300	350	400	450	500	600
Weight (Kg)	17	27	35	51	66	81.5	125	218	288	405
Ref.	147050	147065	147080	147100	147125	147150	147200	147250	147300	147350

CARBON STEEL GATE VALVE FLANGED PN16 TRIM8 LONG PATTERN DIN3202-1 F5

SIZE DN 400 (in mm) :

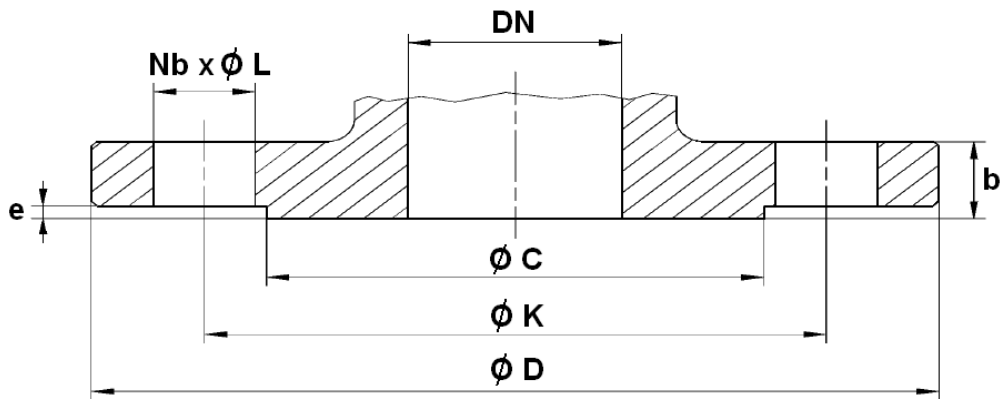
STEM AND PLATESIZE :



DN (mm)	400
Ø P	387
L	600
H	1315
Ø V	460
Ø P1	280
Ø K	245
Ø C	200
n x Ø Z	8 x Ø 16
h	6
Tr	Tr48x8LH
H1	90-150
Weight (in Kg)	424
Ref.	147400

CARBON STEEL GATE VALVE FLANGED PN16 TRIM8 LONG PATTERN DIN3202-1 F5

FLANGES SIZE (in mm) :



DN (mm)	50	65	80	100	125	150	200	250	300	350	400
Ø C	102	122	138	158	188	212	268	320	378	438	490
Ø D	165	185	200	220	250	285	340	405	460	520	580
Ø K	125	145	160	180	210	240	295	355	410	470	525
Nb x Ø L	4 x 18	8 x 18	8 x 18	8 x 18	8 x 18	8 x 22	12 x 22	12 x 26	12 x 26	16 x 26	16 x 30
b	18	18	20	20	22	22	24	26	28	30	32
e	3	3	3	3	3	3	3	3	4	4	4

CARBON STEEL GATE VALVE FLANGED PN16 TRIM8 LONG PATTERN DIN3202-1 F5

STANDARDS :

- Manufacturer certified ISO 9001 : 2015 and ISO 14001 : 2015
- DIRECTIVE 2014/68/EU : CE N° 0036
Risk category III Module H
- Certificate 3.1 on request
- Designing according to EN 1984
- Pressure Tests according to EN 122661-1, Rate B
- Length according to EN 558 series 15 (DIN 3202-1, series F5)
- Flanges R.F. according to EN 1092-1 PN16
- ATEX Group II Category 2 G/2D Zone 1 & 21 Zone 2 & 22 (optional marking) according to directive 2014/34/EU

ADVICE : Our opinion and our advice are not guaranteed and SFERACO shall not be liable for the consequences of damages.
The customer must check the right choice of the products with the real service conditions.