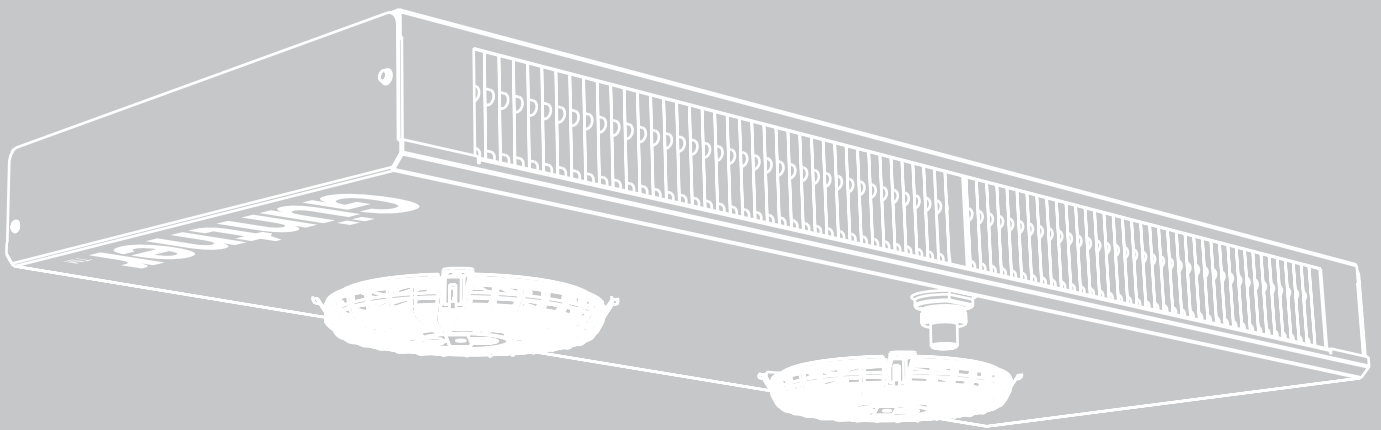
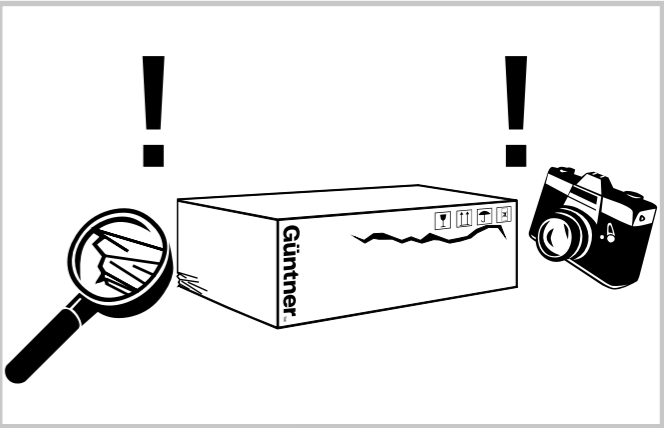
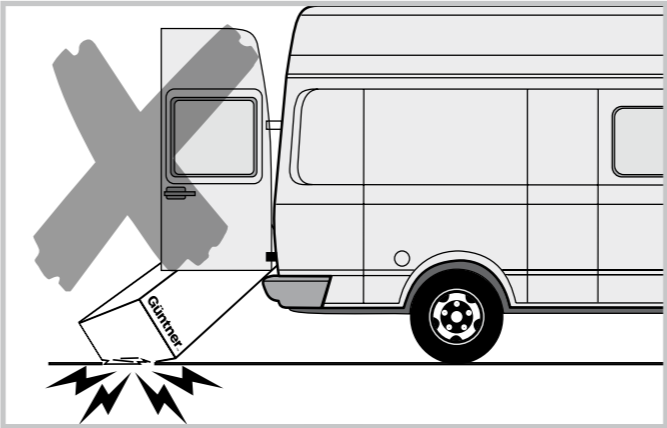
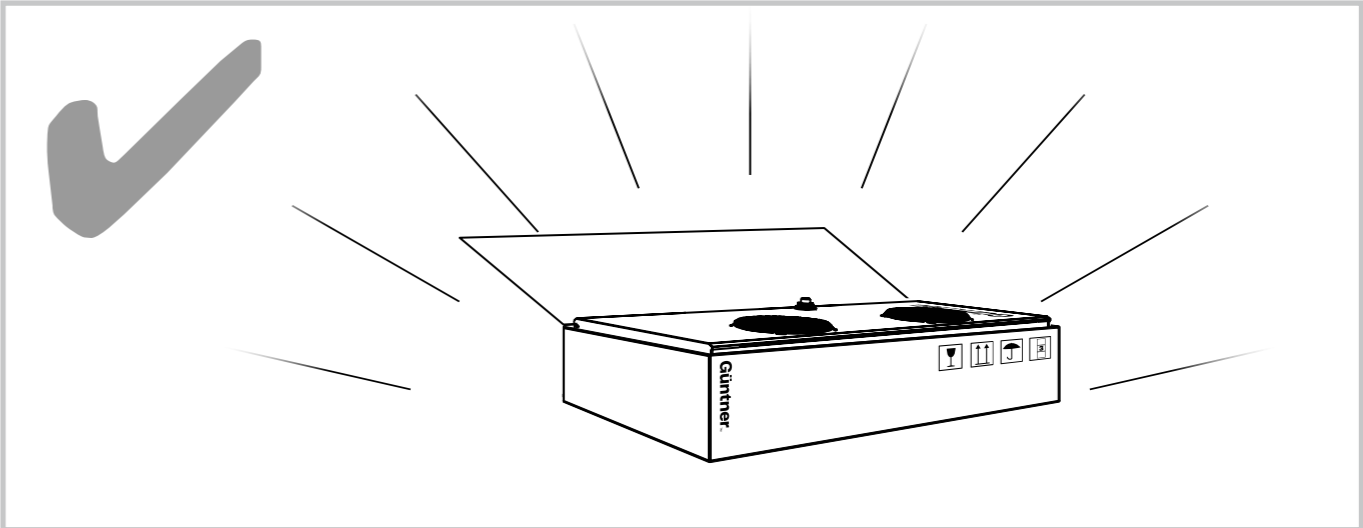


Mini COMPACT

Air Cooler

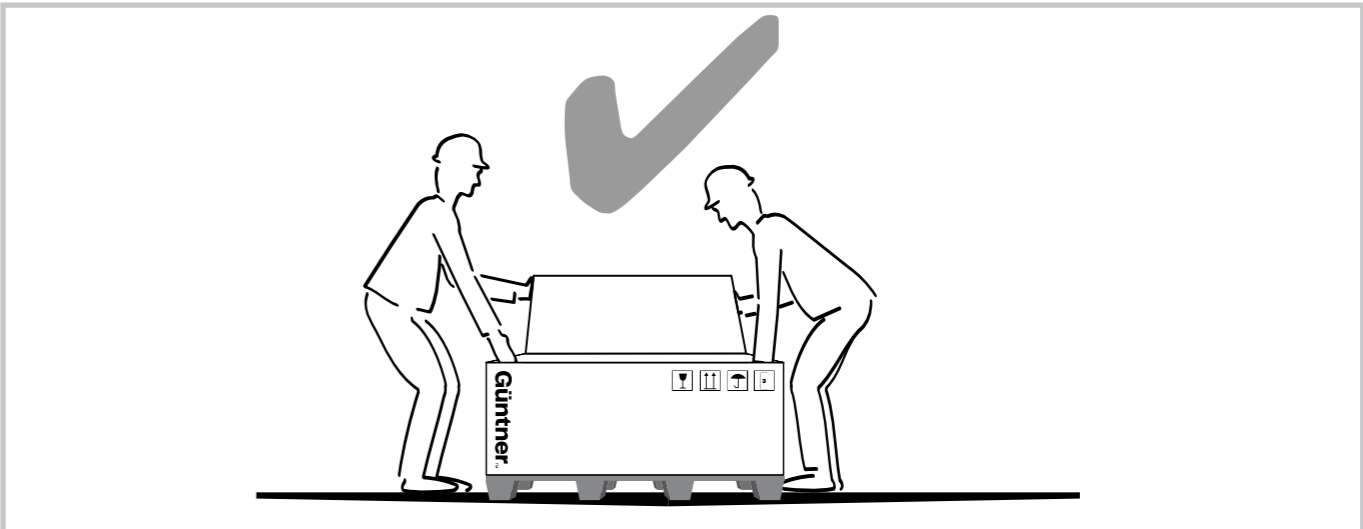
Standard units GAMC PX and CX

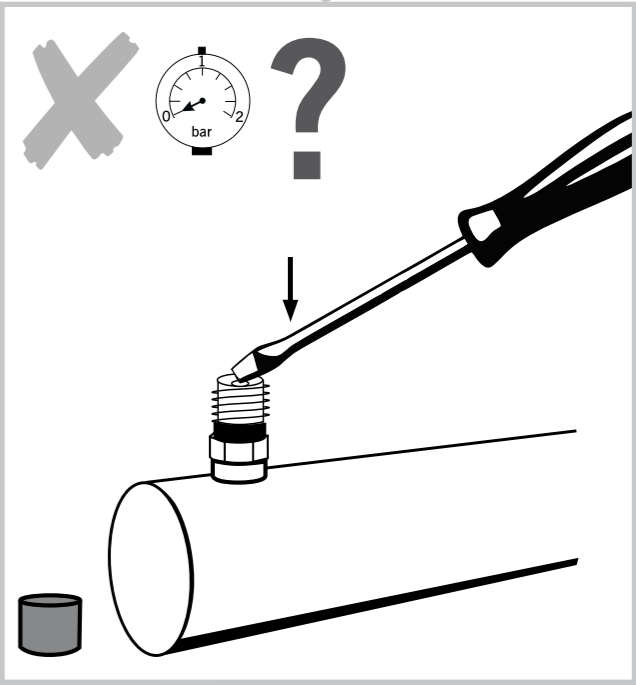
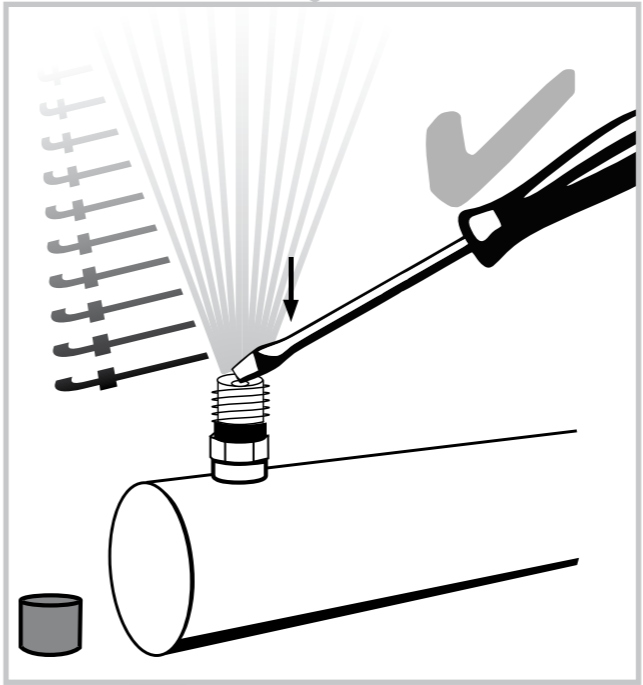
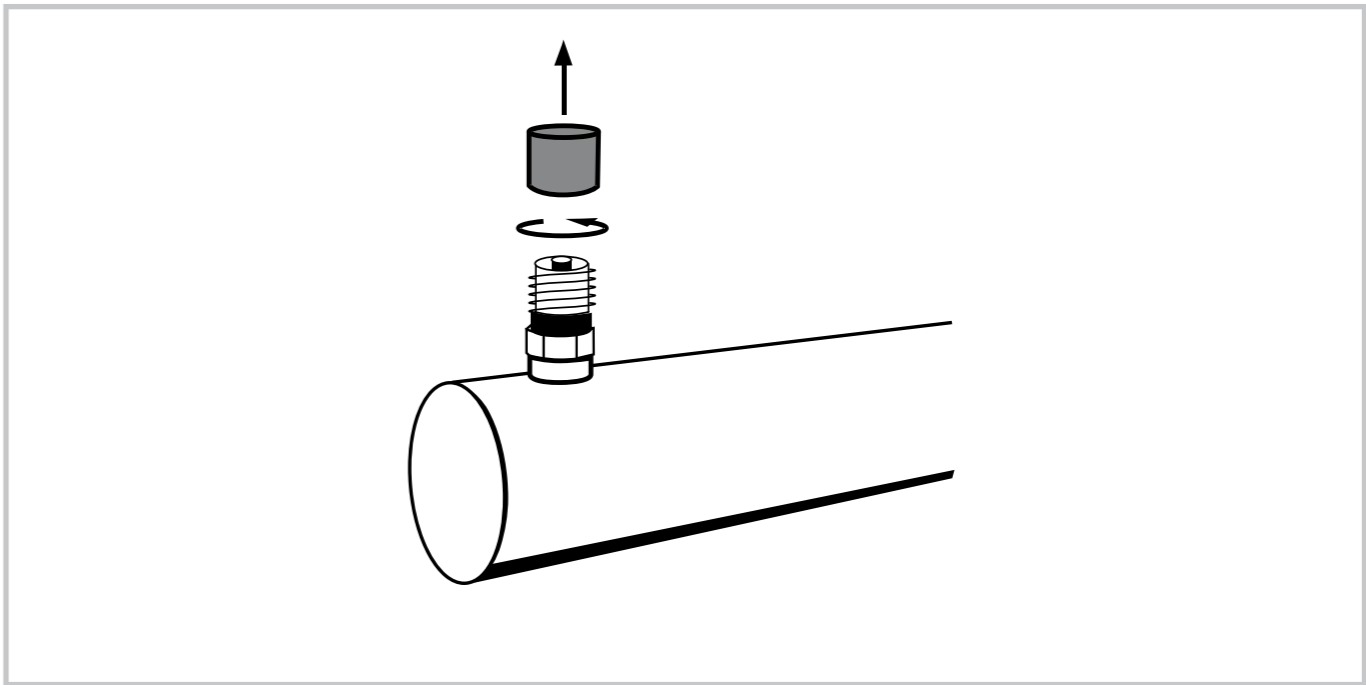
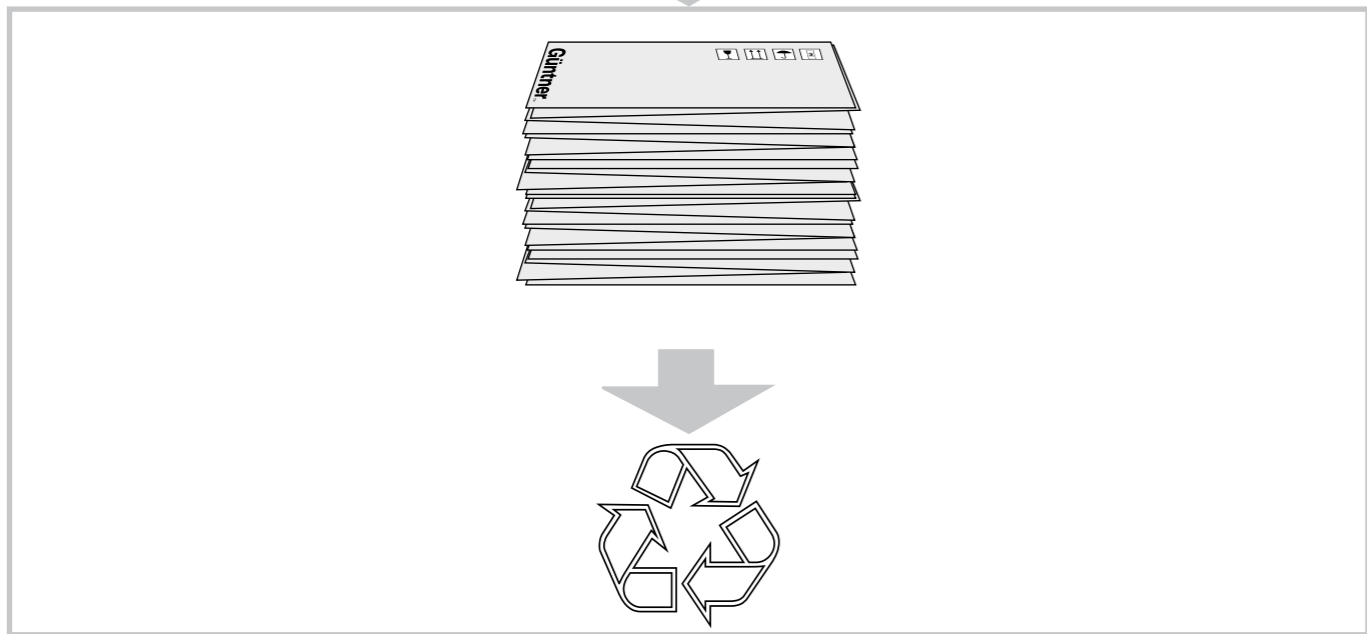
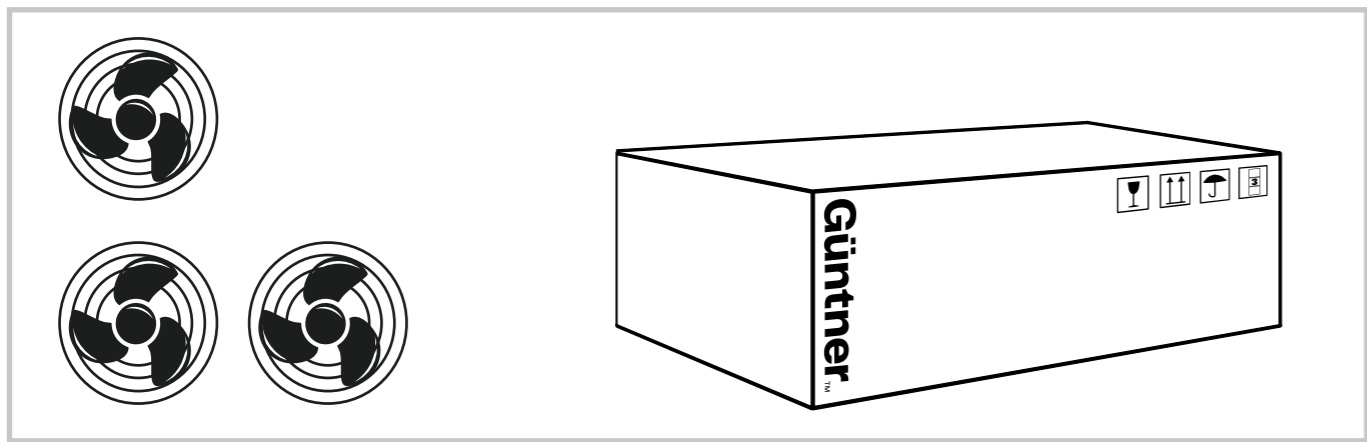
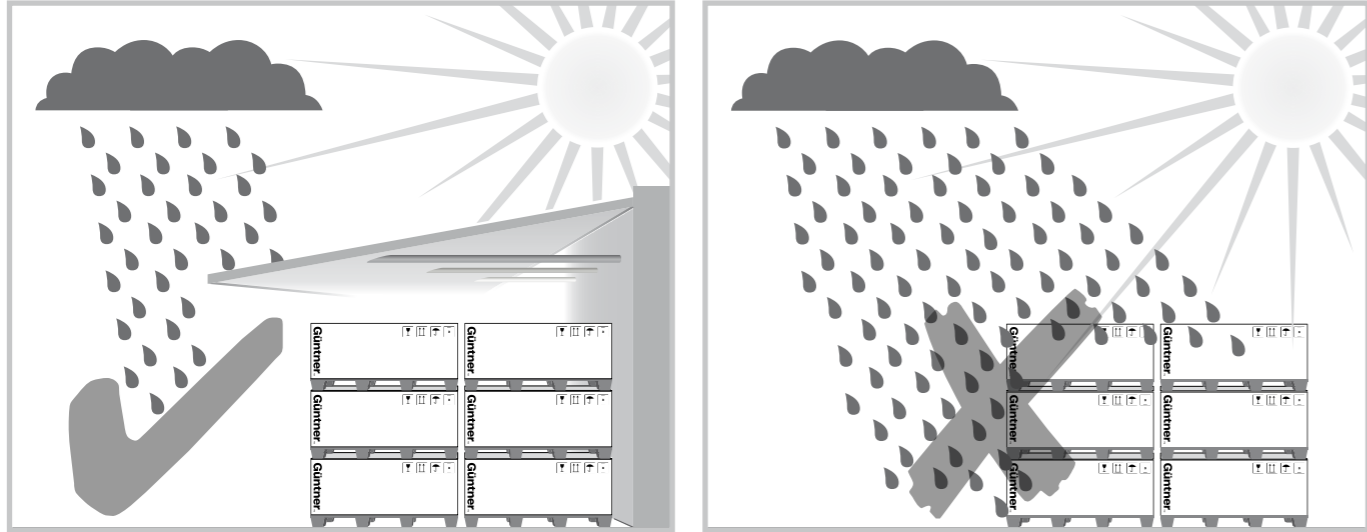




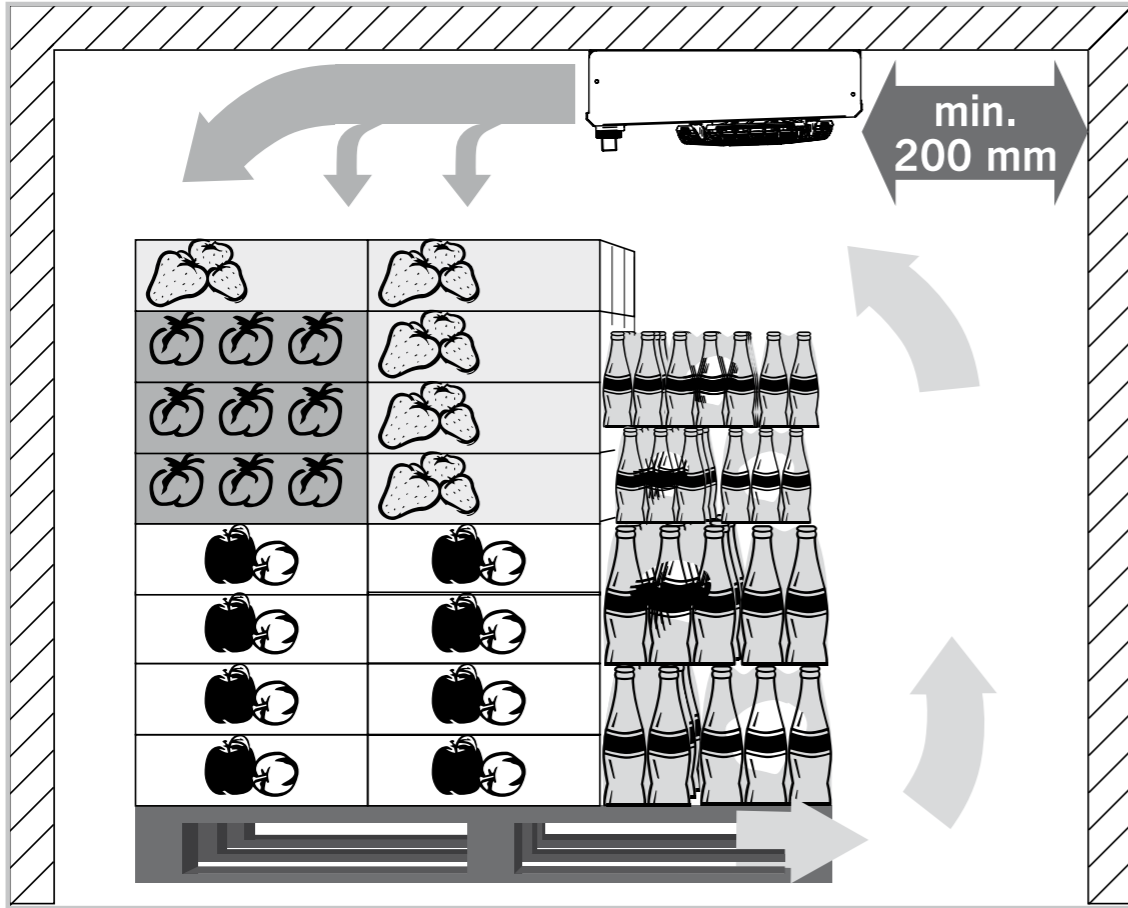
guntner.com

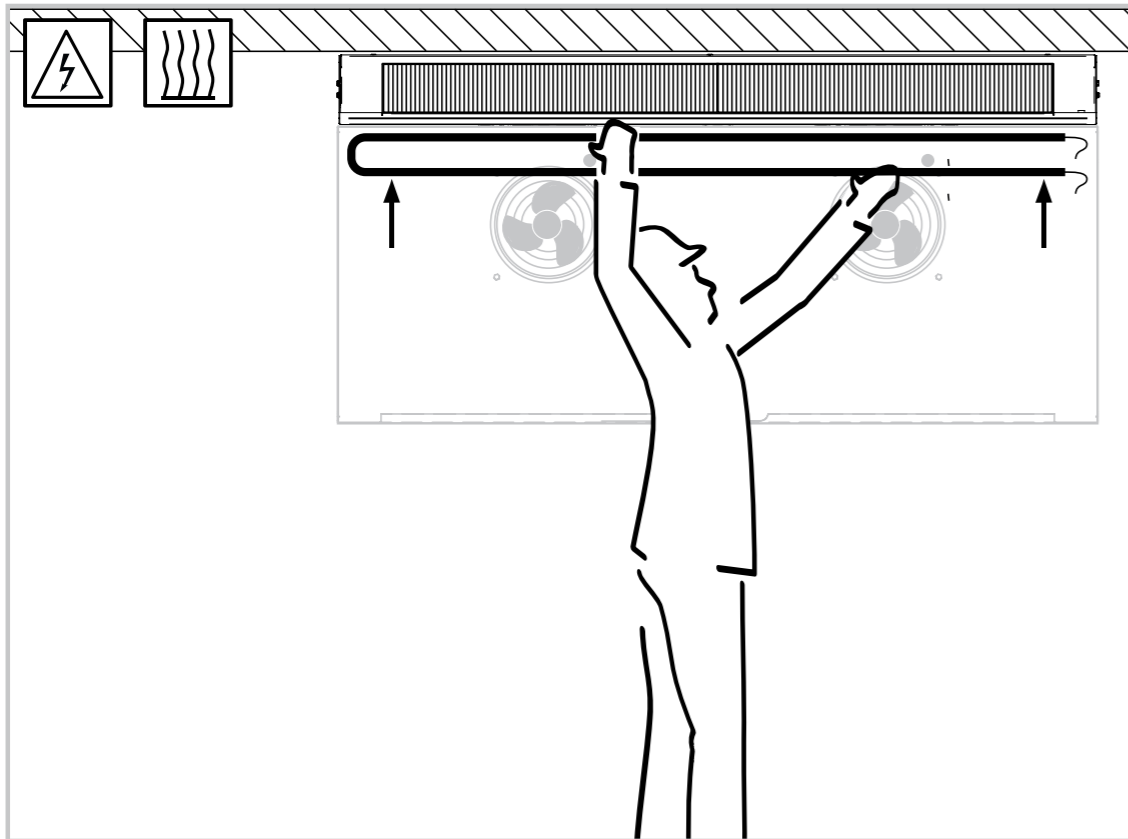




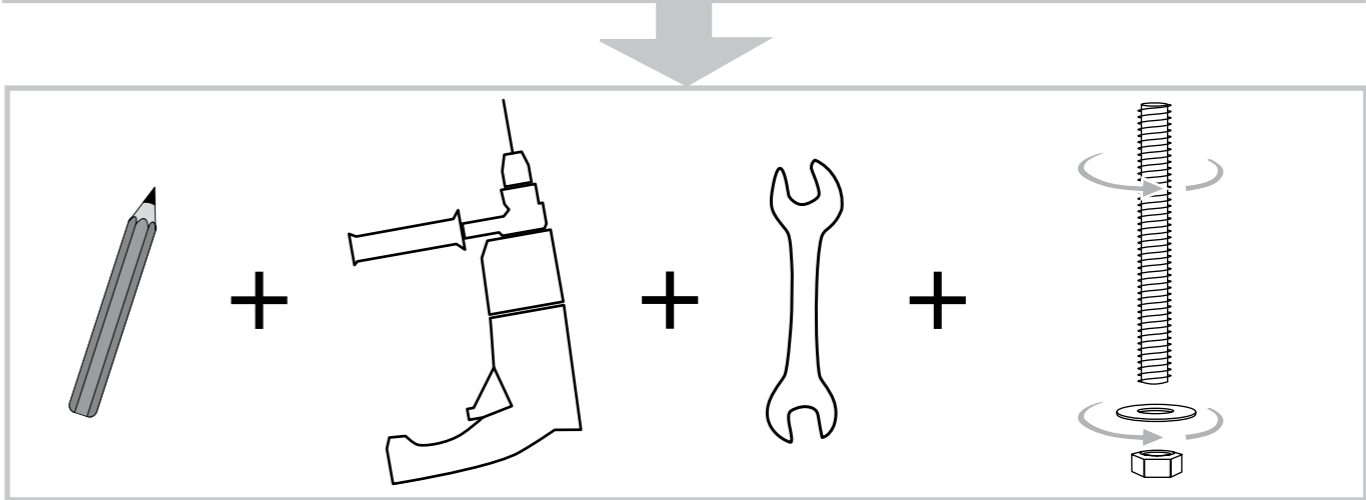
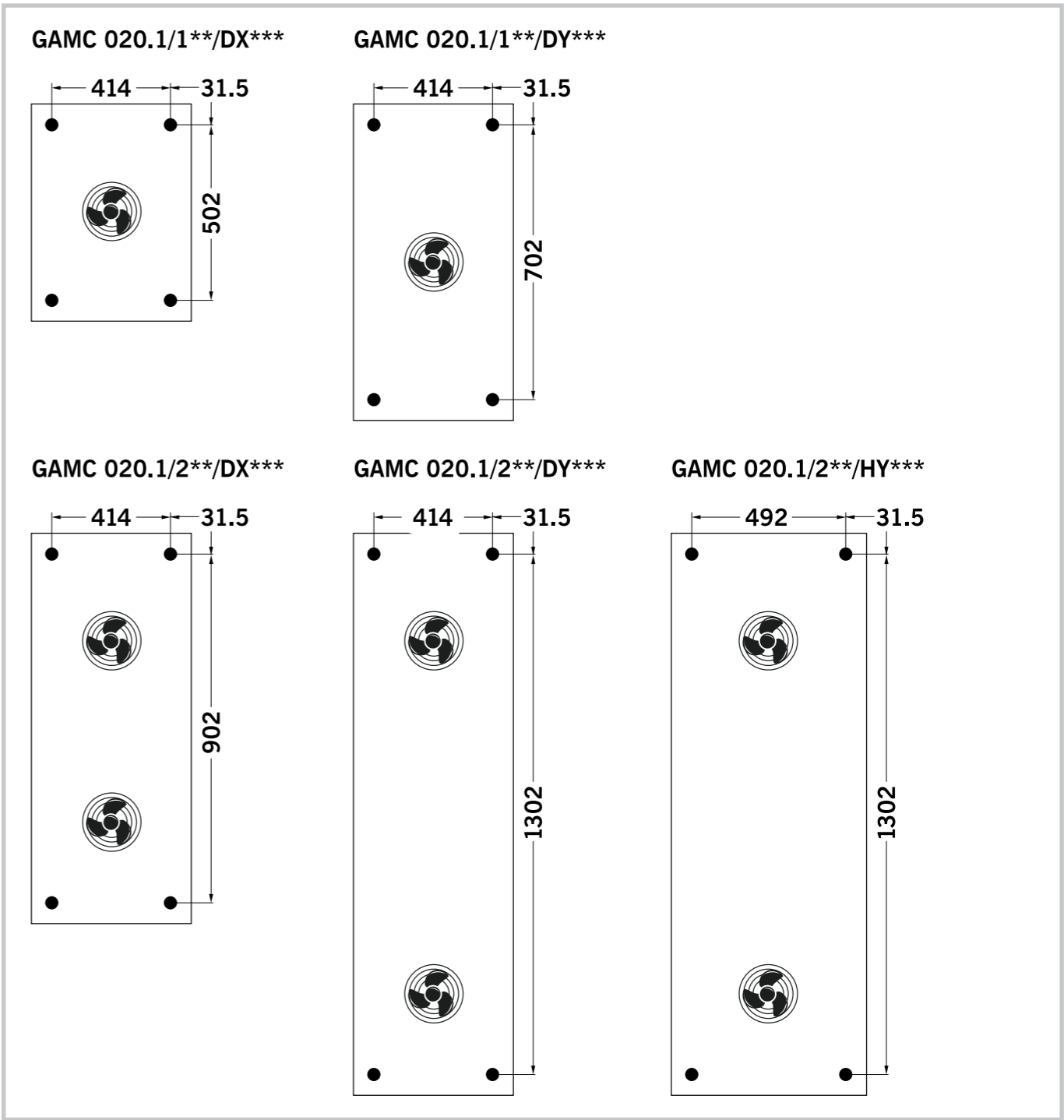
5

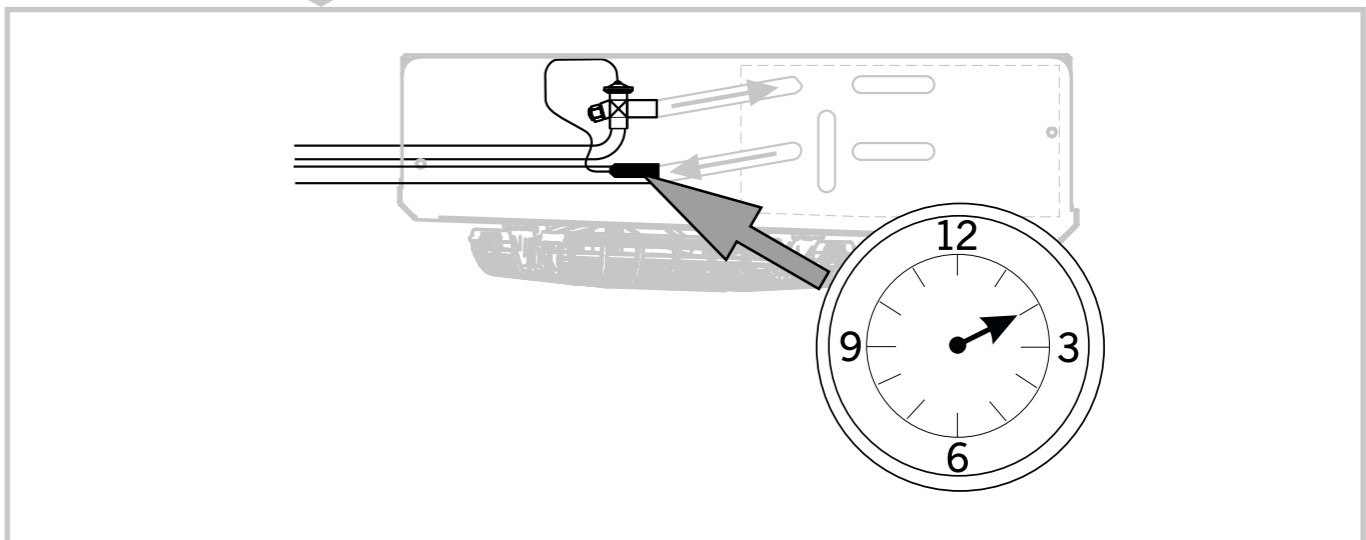
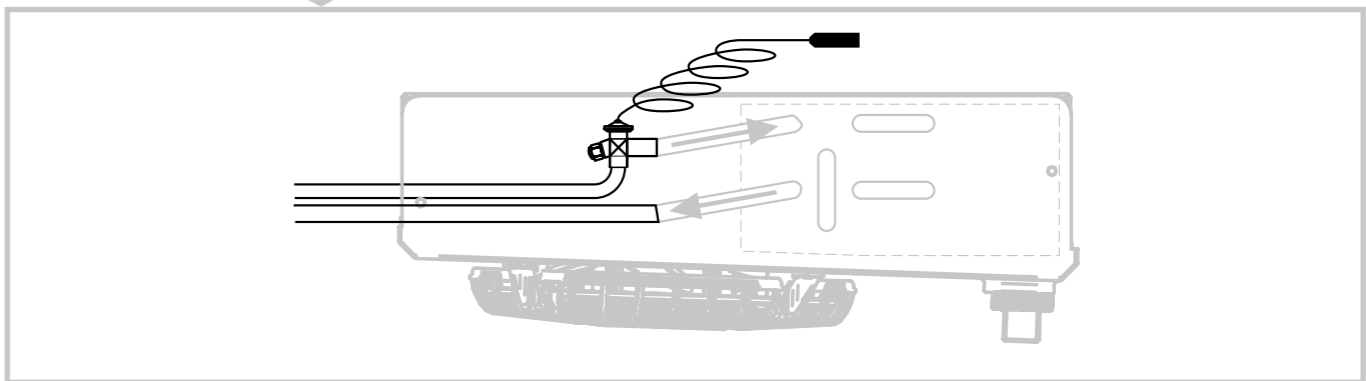
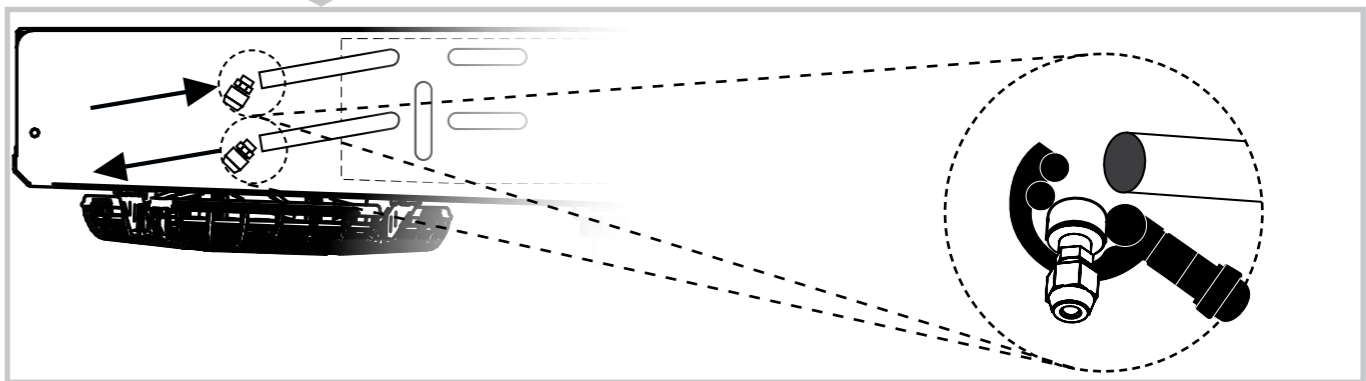
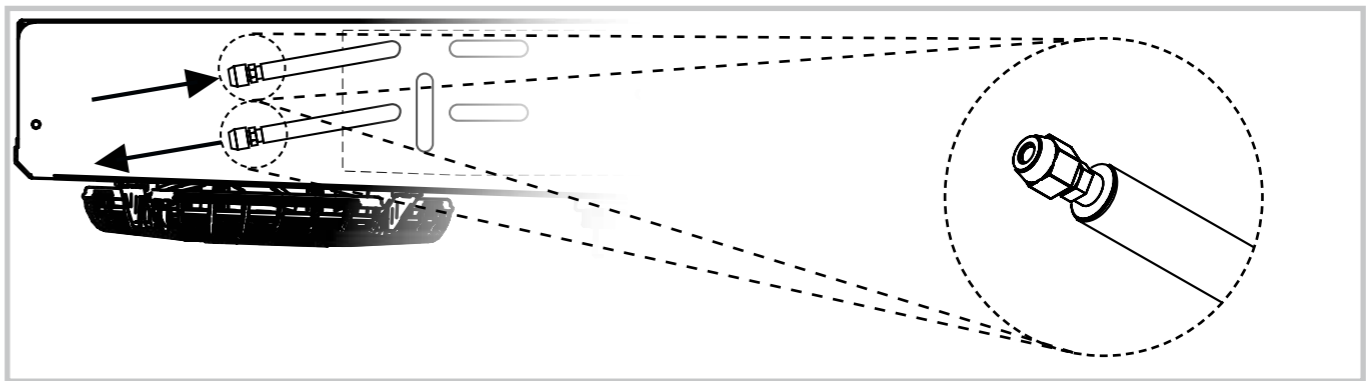
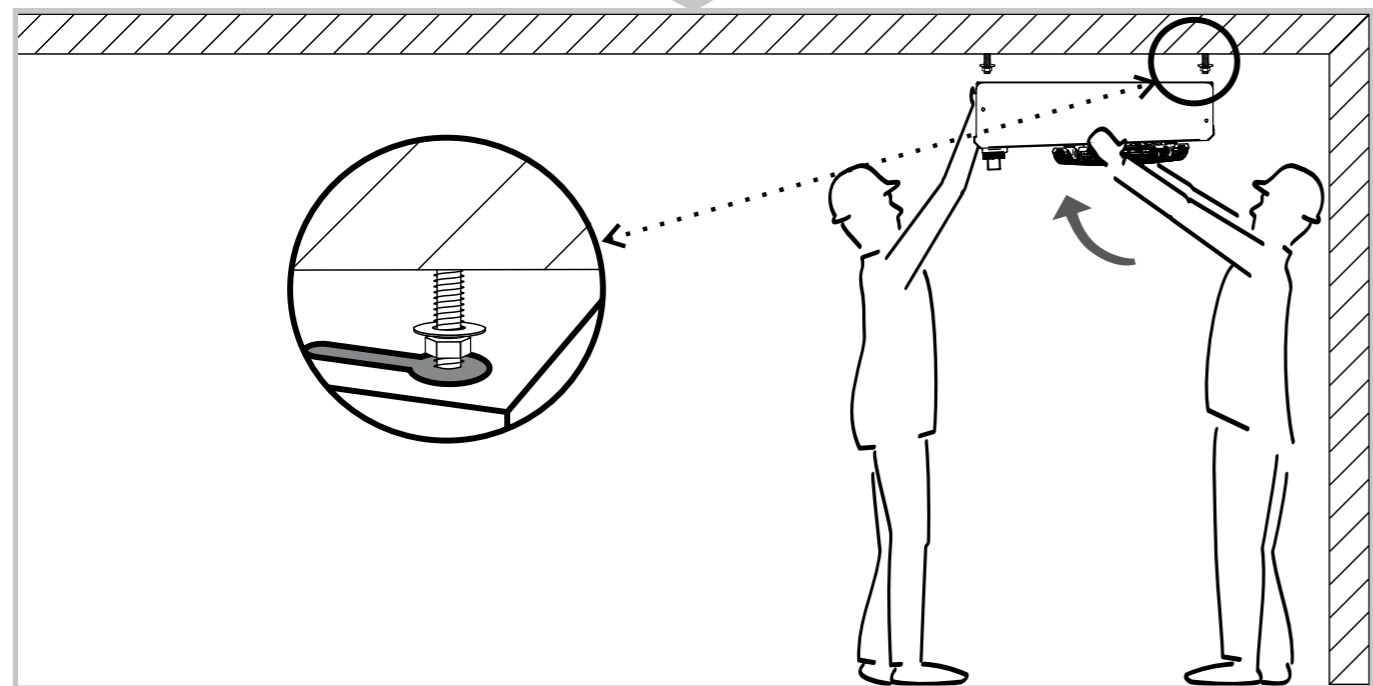
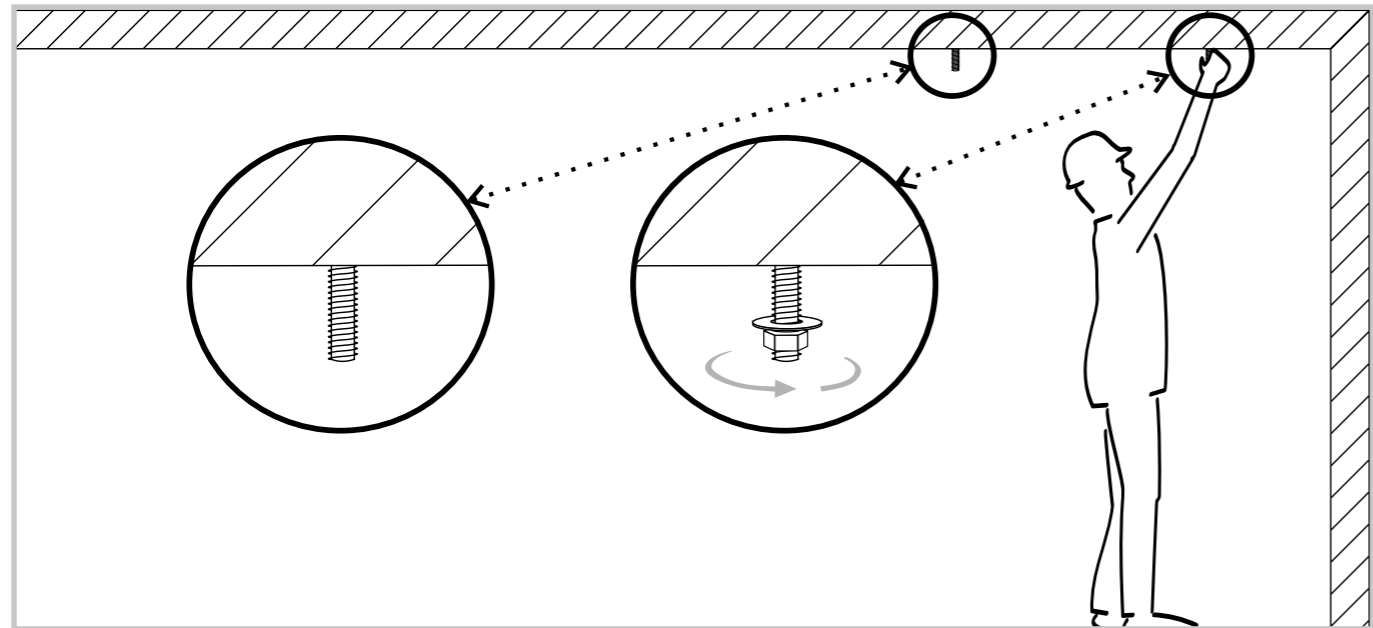


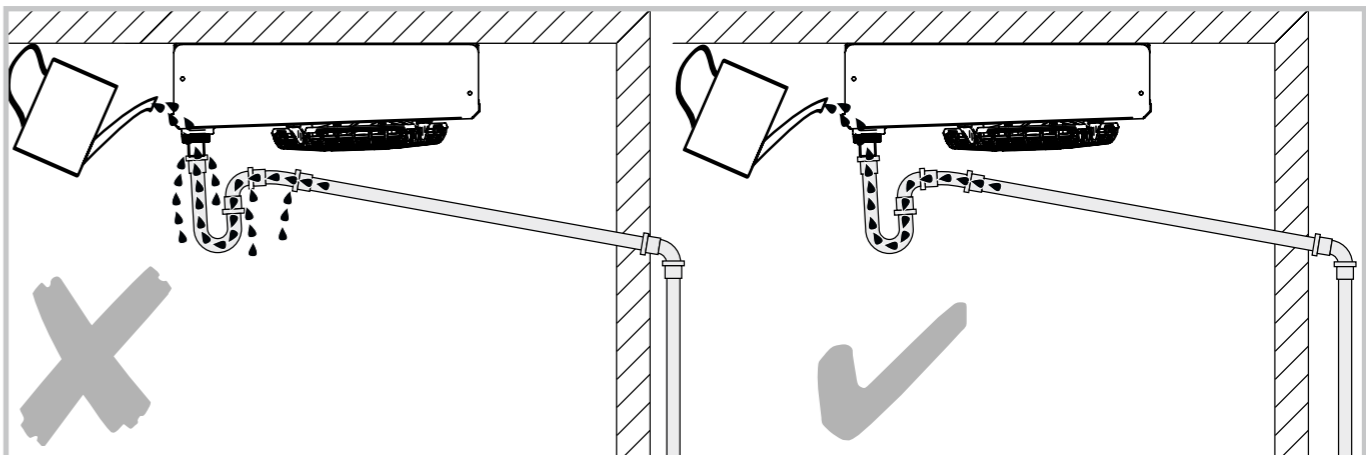
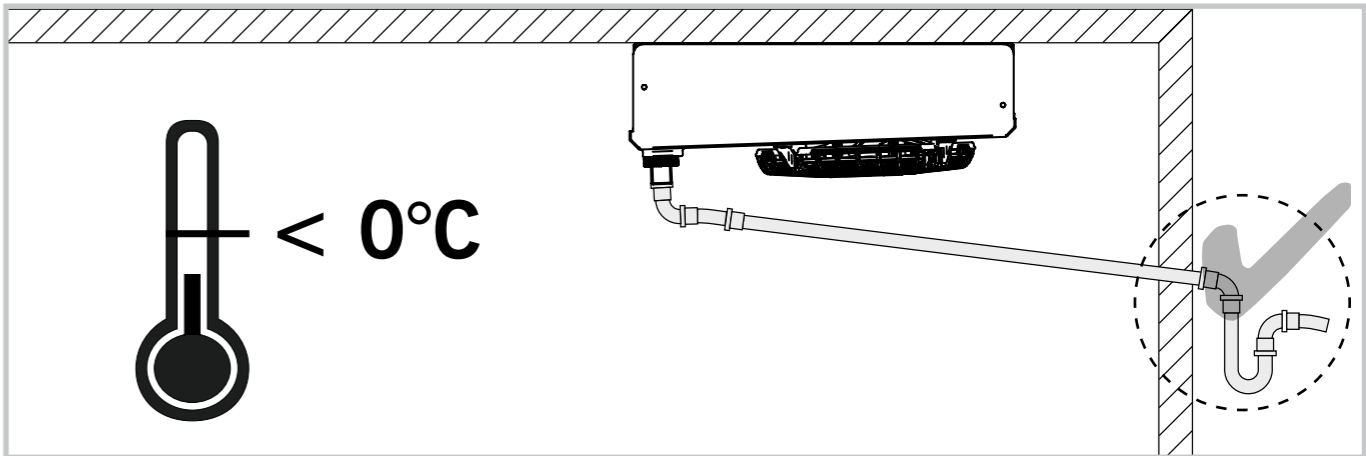
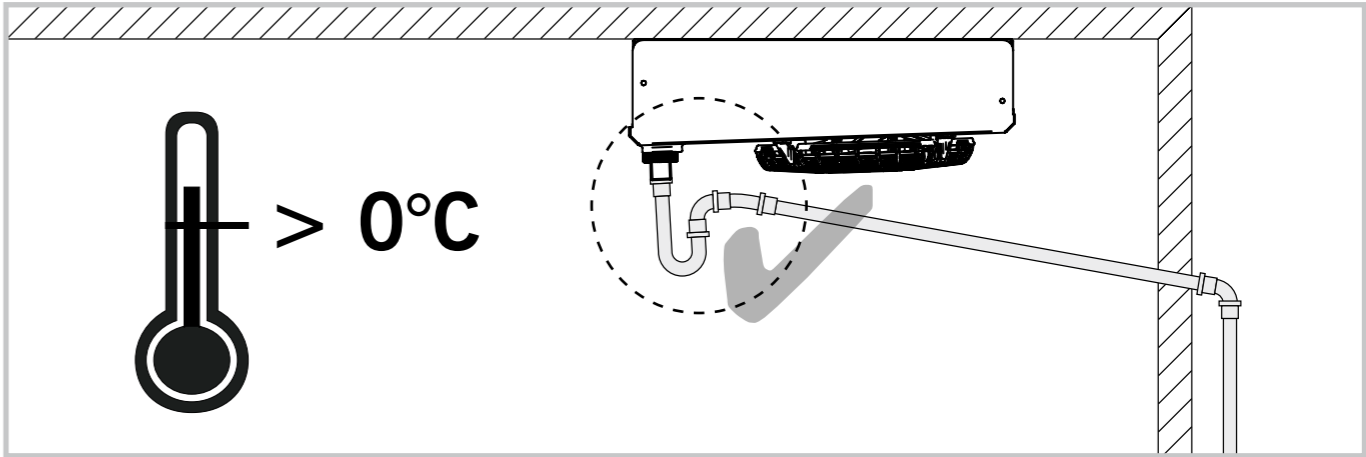
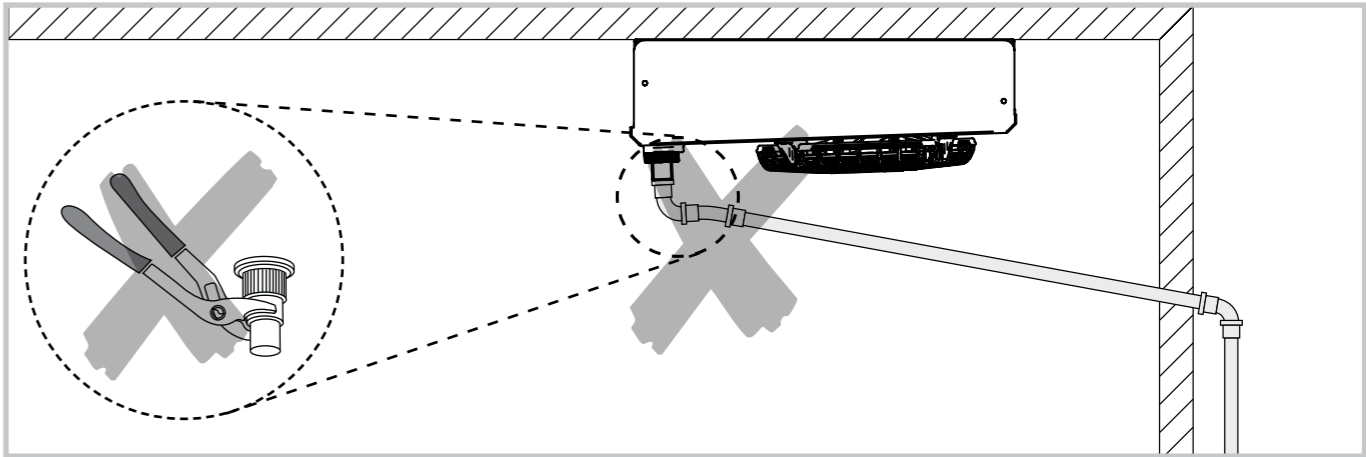
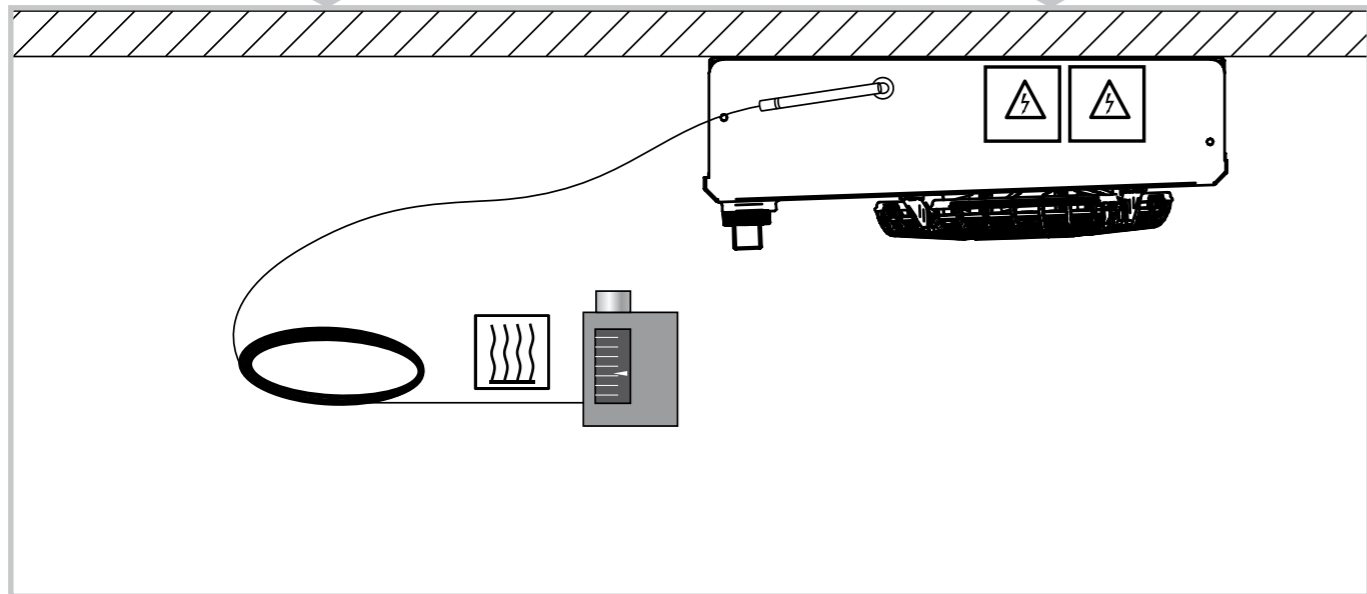
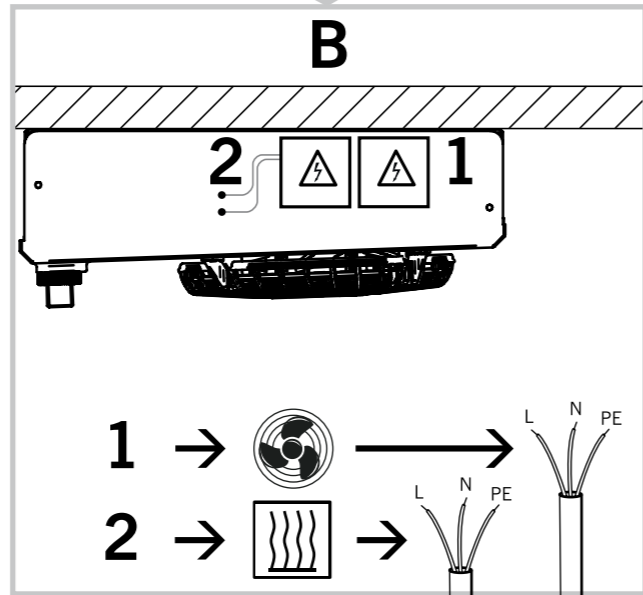
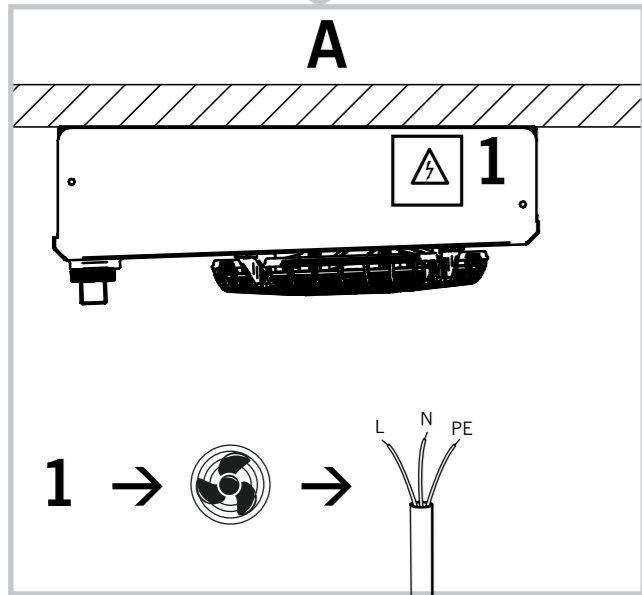
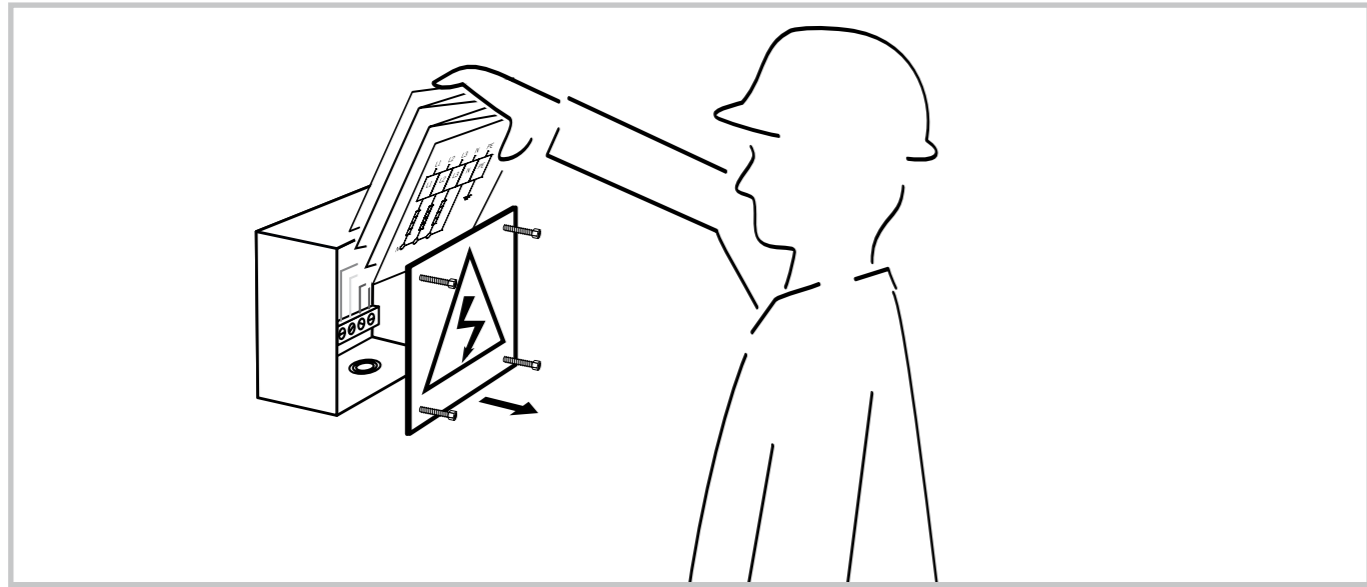
6

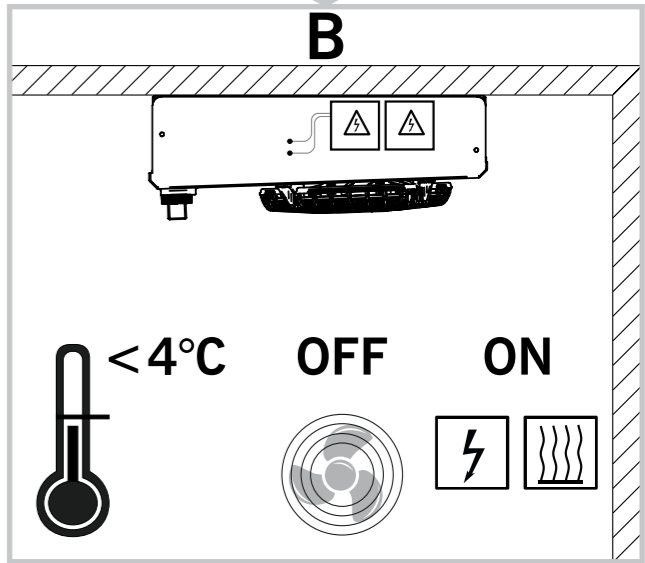
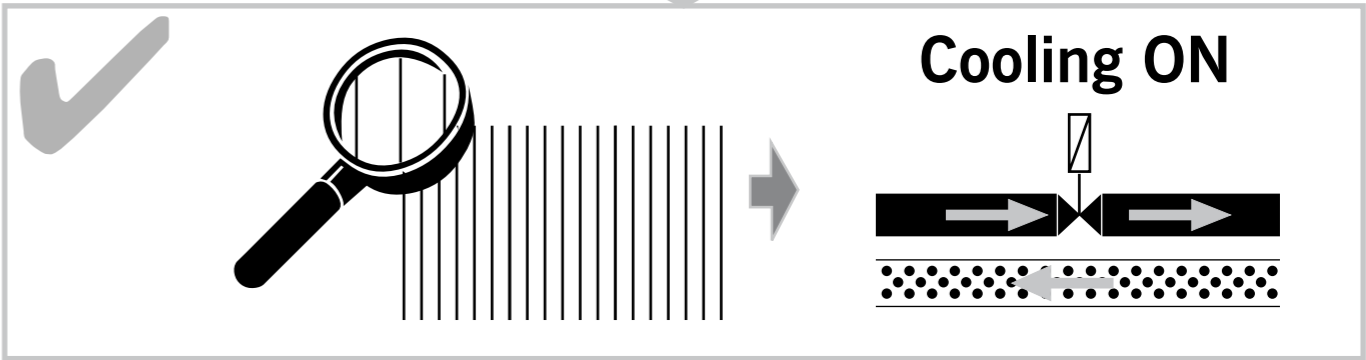
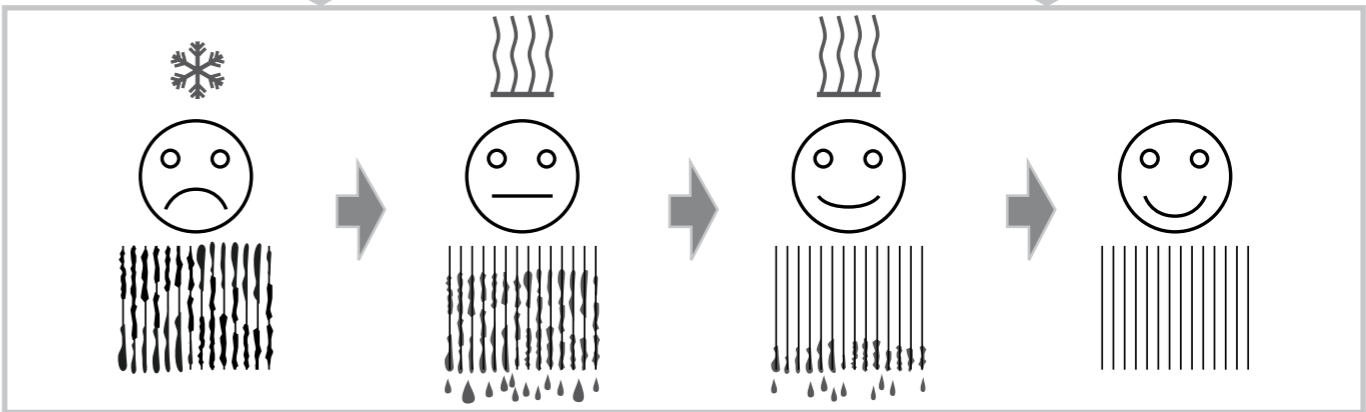
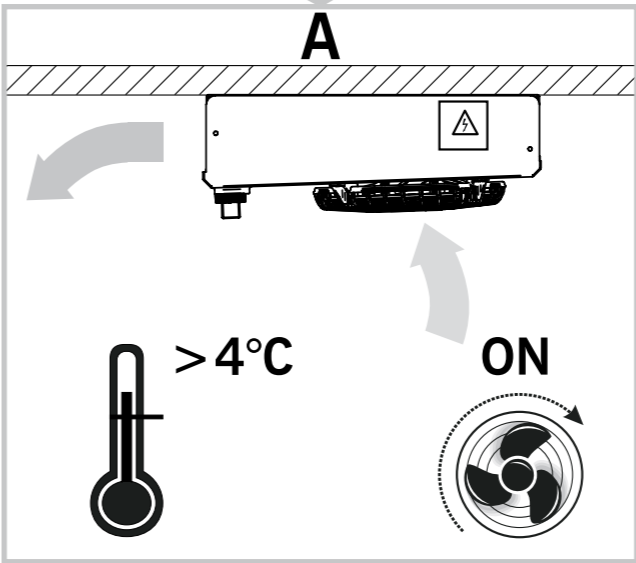
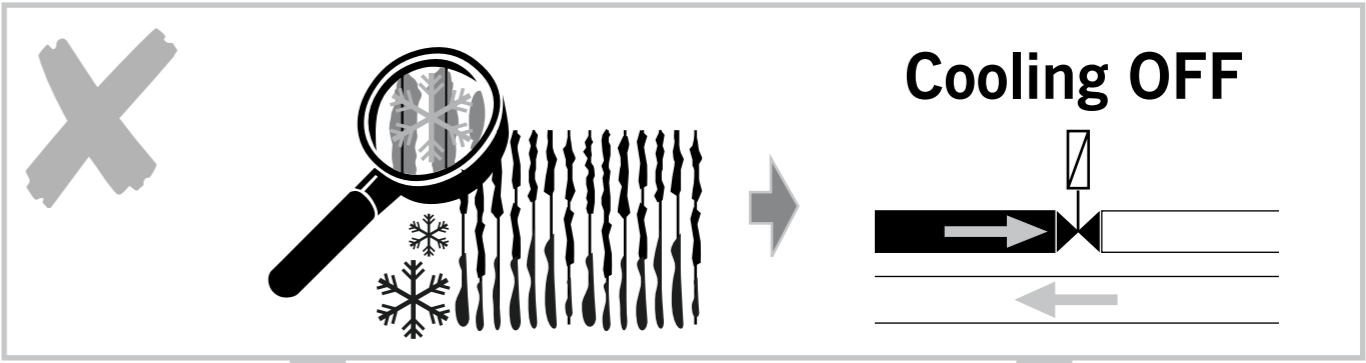
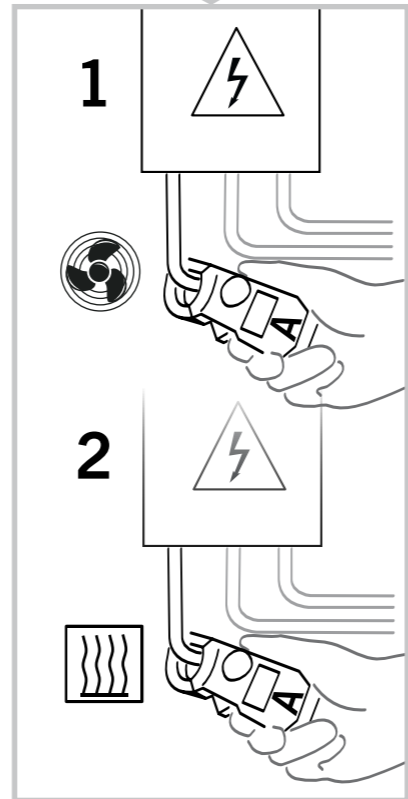
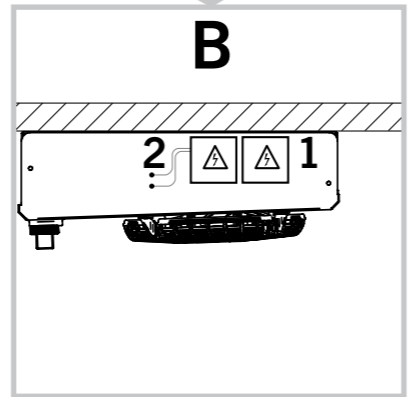
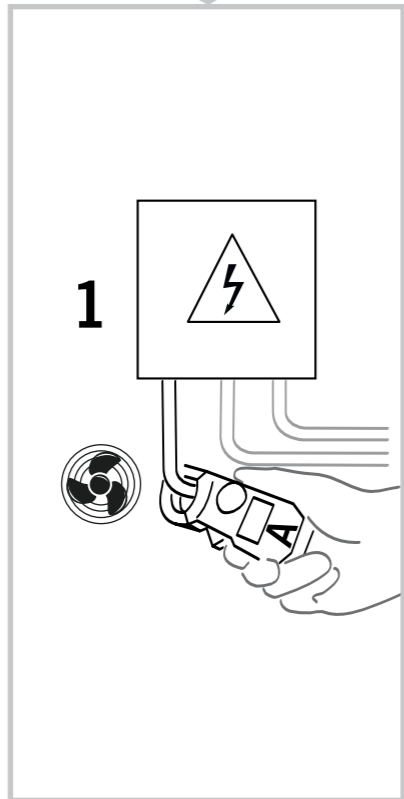
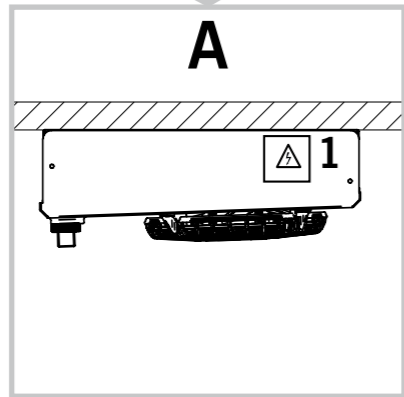
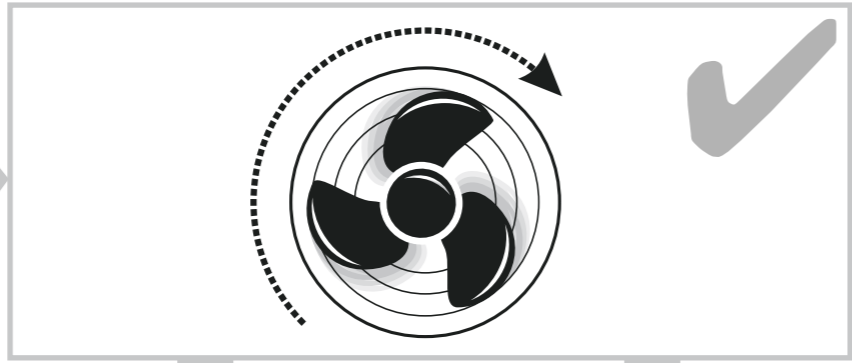
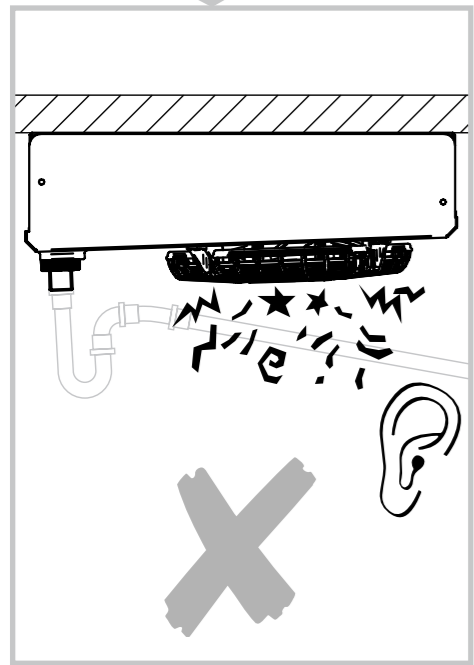
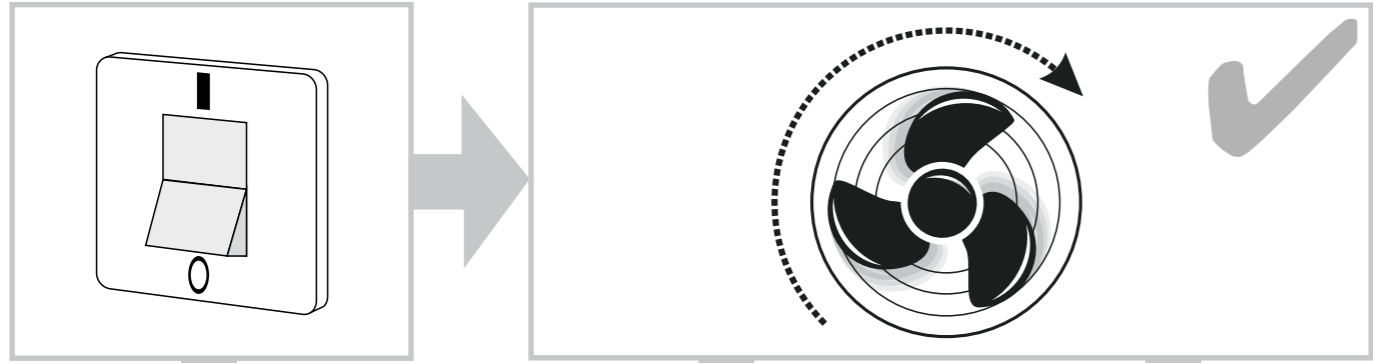


7









i 1		
	I (A)_{total}	
VT 03033U, EC, 1~ 230 V 50/60 Hz	0.16 (1500 U/min ⁻¹)	0.32 (1500 U/min ⁻¹)
	0.26 (2000 U/min ⁻¹)	0.52 (2000 U/min ⁻¹)

i 2	Artikel-Nr. Code Nr.			U [V]	P [kW] total
GAMC (PX/CX) 020.1/1**/DY***	AY7.004849	1		230V 1~+N 50/60Hz	0,2
GAMC (PX/CX) 020.1/1**/DX***	AY7.004848	1			0,1
GAMC (PX/CX) 020.1/2**/DY***	AY7.004851	1			0,3
GAMC (PX/CX) 020.1/1**/HY***	AY7.004852	2			0,6
GAMC (PX/CX) 020.1/1**/DX***	AY7.004850	1			0,2

